

## Waveguide Termination

**WT62S**

**WR62, 11.9-18.0 GHz, 20 Watts, Square Cover Flange**

Rev 1

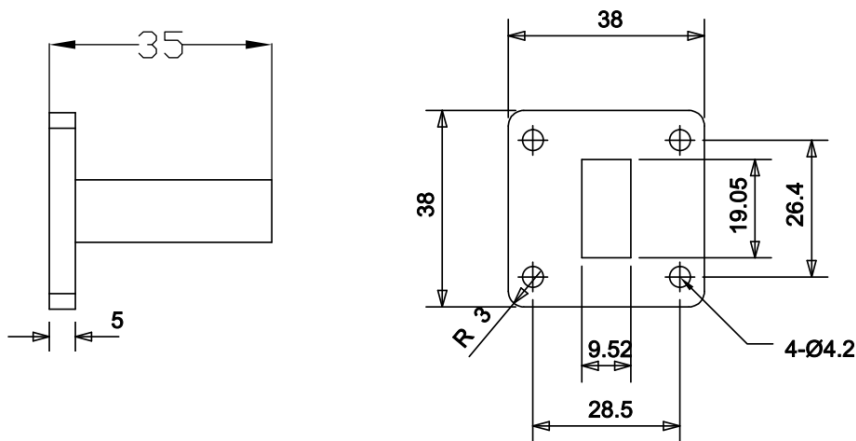
### Electrical

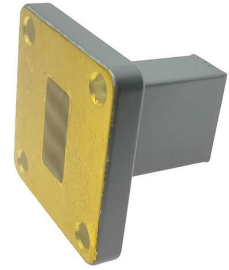
Impedance	50 ohm
Frequency Range	11.9-18.0 GHz
VSWR	1.2 max
Input Avg Power	20 Watts @ 25°C
Operating Temperature	-40°C~+70°C

### Mechanical

Waveguide Size	WR62(R140)
Flange Type	IEC: UBR140
Waveguide Material	Aluminum
Waveguide Finish	Grey painted

### Dimensions(mm)





Typical Test Data

