

XP FIT PLUS LC CONNECTOR

The XP Fit Plus is a pre-polished, pre-assembled connector compatible with the standard LC connector. In place of epoxy, an internal mechanical grip gently but effectively holds the fiber in place and can be installed in under

two minutes. Without polishing or adhesives, the XP Fit Plus makes field installations quick and easy, eliminating the need for epoxy curing and hand polishing at the work site.

SPECIFICATION	SINGLEMODE	MULTIMODE
For XP Fit Plus LC	Typical	
Insertion Loss	0.2dB (PC)	0.1dB
Return Loss	55dB (PC)	35dB
Durability	<0.1dB change, 500 matings	
Operating Temperature	-40°C to +75°C	
Tensile	TIA/EIA 568-C.3	
Intermateability	IEC 61754-20	

*Note: * Specifications shown above were obtained using SENKO recommended products and procedures.*



PART NUMBER	DESCRIPTION	HOUSING	BOOT COLOR
951-191-111	XPFit Plus LC Connector SM: PC 900µm/250µm 120pack*	Blue	White
951-291-411	XPFit Plus LC Connector MM: 50/125 900µm/250µm 120pack*	Black	White
951-391-211	XPFit Plus LC Connector MM : 62.5/125 900µm/250µm 120pack*	Beige	White
951-491-511	XPFit Plus LC Connector MM: 50/125 10G OM3 900µm/250µm 120pack*	Aqua	White

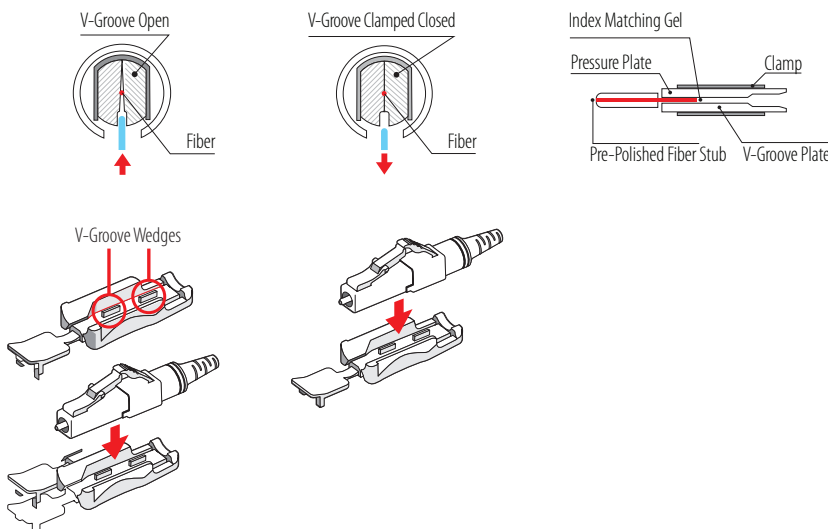
951-191-111 ORDER CODE example

Note: The connector performance specifications include an internal mechanical splice

Note*: 1. 12 pack available. Add -12 to existing part number
2. Typical specification values are at 23°C ±5°C

Features:

- Mechanical Splice (*index matching gel*)
- Highly Stable & Reliable
- Perfect Performance
- Compact Package
- RoHS Compliant
- Finished Connector meets UL94-V0 Flammability Rated
- TIA/EIA 568-C.3 Compliant



XP Fit Plus LC Field Installable Connector