

CONTROL DRAWING

81_SMP-S50-0-x1/111_NE

B

METRIC TOLERANCE			
DIMENSION		TOLERANCE	
INCHES	MM	INCHES	MM
.X	[X.]	±.015	[±0.5]
.XX	[X.X]	±.010	[±0.3]
.XXX	[X.XX]	±.002	[±0.05]
.XXXX	[X.XXX]	±.0005	[±0.013]

NOTES:

1. DESCRIPTION,
CONNECTOR, SMP MALE, SURFACE MOUNT.

2. MATERIALS AND FINISHES,
SMP BODY

BRASS, FREE CUTTING, PER ASTM B-16,
UNS No. C36000.

GOLD PLATED 4 μIN. [0.1 μM] MIN. THK.
PER ASTM B-488, CODE C, TYPE I, CLASS 0.25,

OVER

NICKEL PLATE, 80 μIN. [2.0 μM] MIN. THK.
PER ASTM B-733, TYPE V, CLASS 3,

OVER

COPPER FLASH, 4 μIN. [0.1 μM] MIN. THK.
PER SAE-AMS-2418.

CENTER CONDUCTOR,

BERYLLIUM COPPER ALLOY PER ASTM B-196,
UNS No. C17300, TEMPER TD04(H),

GOLD PLATED 4 μIN. [0.1 μM] MIN. THK.
PER ASTM B-488, CODE C, TYPE I, CLASS 0.25,

OVER

NICKEL PLATE, 80 μIN. [2.0 μM] MIN. THK.
PER ASTM B-733, TYPE V, CLASS 3,

OVER

COPPER FLASH, 4 μIN. [0.1 μM] MIN. THK.
PER SAE-AMS-2418.

DIELECTRIC,

POLYAMIDE-IMIDE (TORLON® 4203) ELECTRICAL GRADE,
PER ASTM D-5204

3. ELECTRICAL CHARACTERISTICS:

IMPEDANCE

50.0 Ohms NOMINAL.

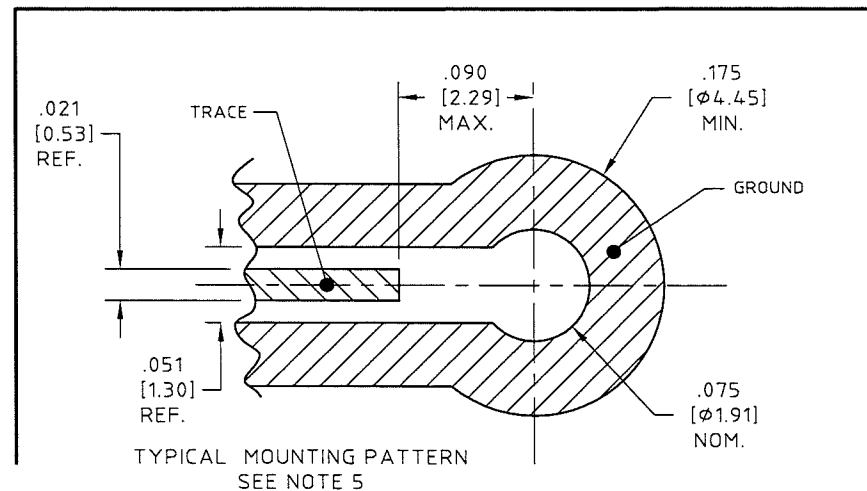
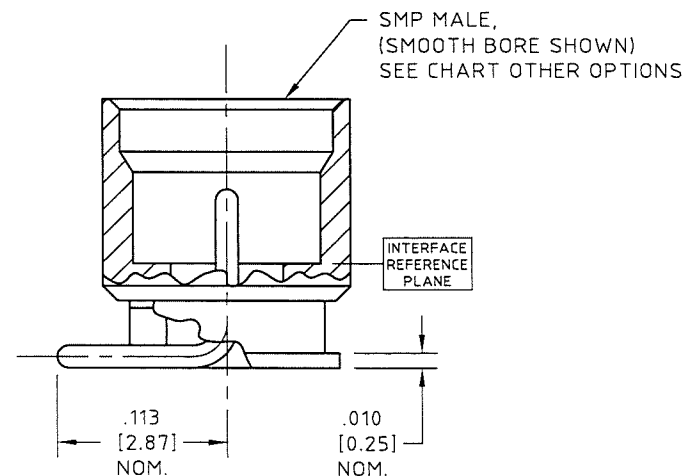
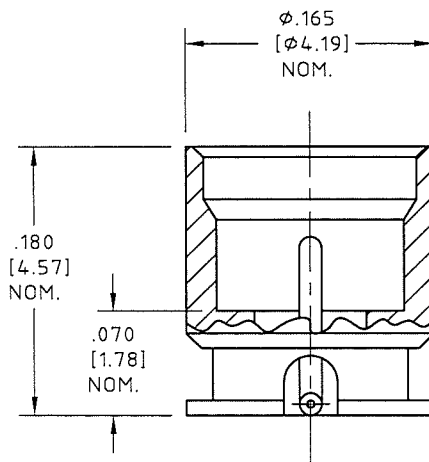
FREQUENCY,

4.0 GHz. MAX.

4. INTERFACE MEETS MIL-STD-348 AND
SMP PERFORMANCE MEETS DESC.
SPECIFICATION 94.007.

5. MOUNTING PATTERN:

CUSTOMER SPECIFIC FACTORS INCLUDING TRANSMISSION LINE TOPOLOGY,
SUBSTRATE THICKNESS AND MATERIAL, BOARD-STACKUP, OPERATING
FREQUENCY, ETC. MUST BE SUBMITTED TO HUBER+SUHNER ASTROLAB
FOR ANALYSIS PRIOR TO RELEASE OF FINAL PERFORMANCE LEVELS
AND MOUNTING CONFIGURATION.



RoHS 6 COMPLIANT

DETENT	P/N	SAP
L.D	81_SMP-S50-0-L1/111_NE	80377946
S.B	81_SMP-S50-0-S1/111_NE	80377947

UNLESS OTHERWISE SPECIFIED
CONCENTRICITY .004 T.I.R.
CORNERS AND FILLETS .005
MAX. RADIUS OR CHAMFER.
SURFACE FINISH 63 RMS
MICROINCHES OR BETTER.

FRACTIONS	± 1/16
X	± .030
XX	± .015
XXX	± .005
ANGLES	± 1°
DO NOT SCALE DRAWING	

NAME	DATE
PREP. SO	02/16/16
ELEC.	
MECH. GSG	02/16/16
Q.C.	

HUBER+SUHNER
Astrolab

THIS DRAWING CONTAINS PATENTABLE AND PROPRIETARY INFORMATION. THE DESIGN CANNOT BE USED WITHOUT WRITTEN PERMISSION OF HUBER + SUHNER ASTROLAB.

TITLE		SCALE	CODE IDENT.	DWG NO.	REV
CONNECTOR, SMP MALE, SURFACE MOUNT		8:1	16301	81_SMP-S50-0-x1/111_NE	B
THDS. TO BE IN ACCORD WITH U.S. DEPT. OF COMM. SCREW THD. STDS. FOR FEDERAL SERVICES 1950 SUPL. TO HANDBOOK H 28.					

REV.	DESCRIPTION	DATE	BY	APPROVED
B	TYPO CORRECTED	03/31/16	M.G.	
A	ECN No. 17879	02/16/16	GSG	