



15 dBi Gain, 32.9-50.1 GHz, WR22 Standard Gain Horn with 2.4mm Female Port

Rev 1

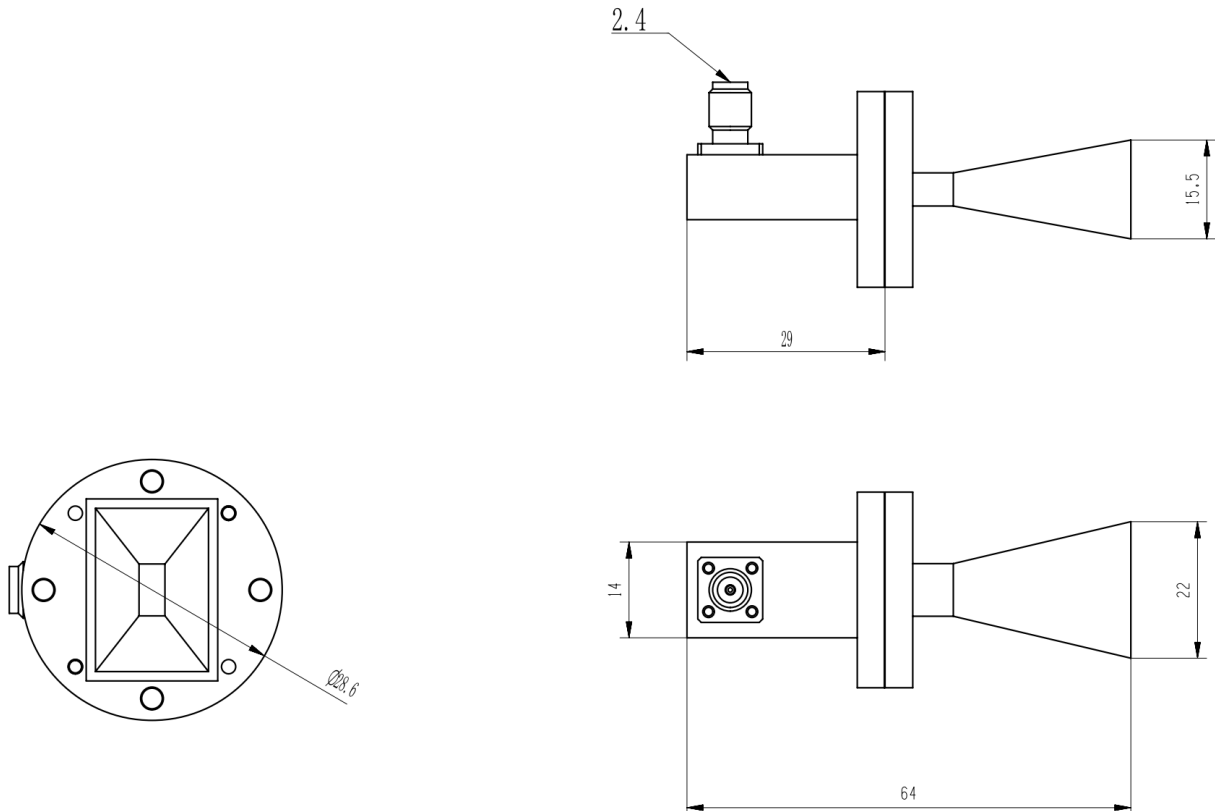
Electrical

Frequency Range	32.9-50.1 GHz
Norminal Gain	15 dBi
Polarization	Linear
VSWR	1.3 max
3dB Beamwidth	E-Plane: 21.7~30.7 deg, H-Plane: 21.6~34 deg
Operating Temperature	-40°C~+70°C

Mechanical

Waveguide Size	WR22
Flange Type	UG383/U Round Cover Flange
Body Material and Finish	Copper, Gold Plated
RF Connector	2.4mm Female
Weight	80g

Dimensions(mm)



Typical Test Data

