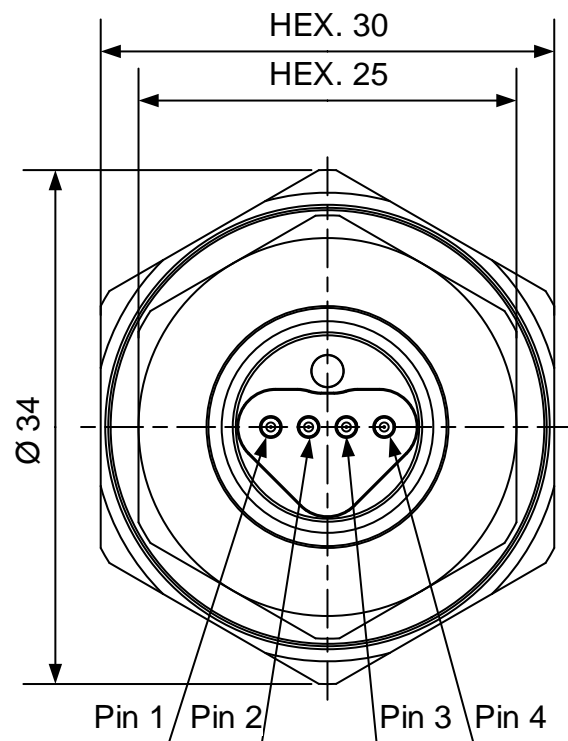


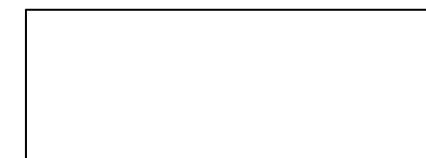
Вид ODC спереди



Расположение каналов

		Страна 2, LC			
		1	2	3	4
ODC	PIN 1	X			
	PIN 2		X		
	PIN 3			X	
	PIN 4				X

Тип клипсы



Этикетка с наименованием сборки



Допуск	Длина сборки
+80	$L < 5m$
+2%	$L \geq 5m$

Description <i>Enter project name</i>		Scale: 1:1	Sheet 1/1
Project		Revision	
ODC4-LC-LC-LC-LC		A	

SM1.9_ODC4SHX-4xLC_UPC

This drawing is copyright. Information contained here is supplied in confidence and must not be used or any other purpose than which its was supplied, or be reproduced without written permission of the owners.