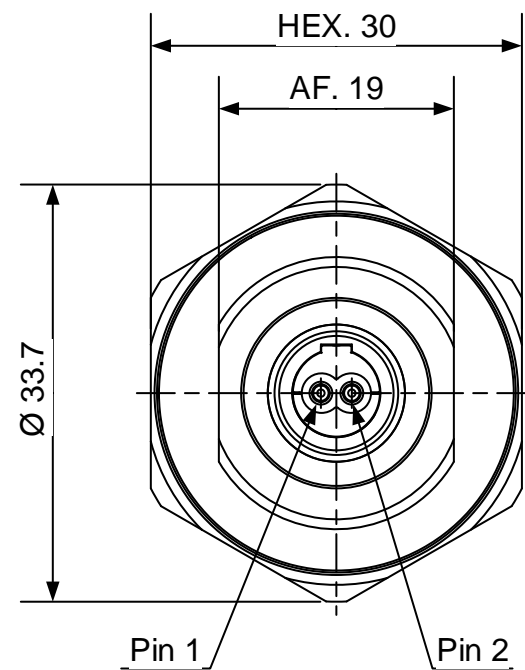


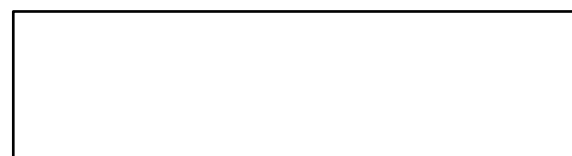
Вид ODC спереди



Расположение каналов

		Сторона 2, FC	
		A	B
ODC	PIN 1	X	
	PIN 2		X

① Этикетка с наименованием сборки



Допуск	Длина сборки
+80	L < 5m
+2%	L ≥ 5m

Description <i>Enter project name</i>		Scale: 1:1	Sheet 1/1
Project		Revision	
ODC2 – FC – FC		A	

**SM1.9\_ODC2SHX-2xFC\_MIX**

This drawing is copyright. Information contained here is supplied in confidence and must not be used or any other purpose than which its was supplied, or be reproduced without written permission of the owners.