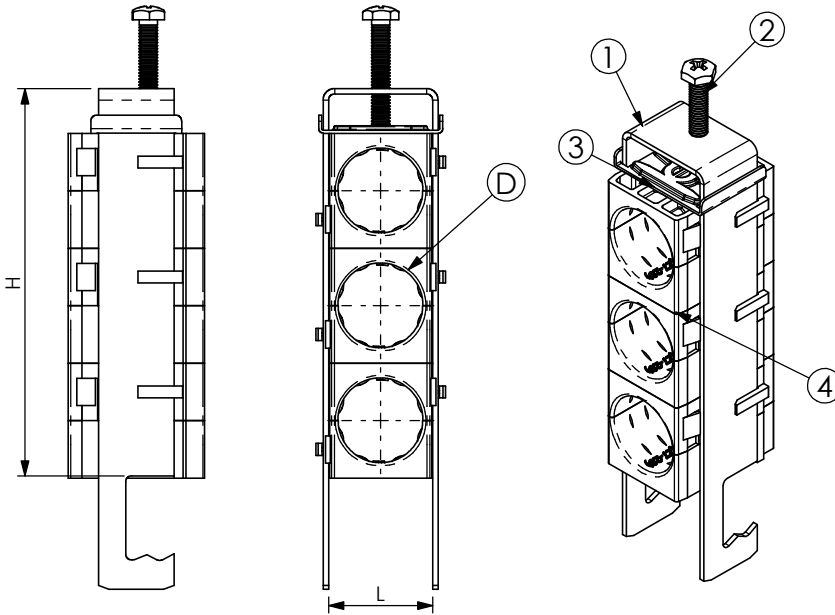


# PRODUCT DATA SHEET



## A) SPECIFICATIONS

- 1 Stainless steel AISI304 bow  
Hooking on flat 3-25 and round  $\varnothing$  8-25.
- 2 Self-locking pressure screw M6 or M8 AISI304
- 3 Stainless steel AISI304 sliding pressure plate.
- 4 SAS black P.A.fiberglass saddles

## B) RESISTANCE TESTS

UV Test BS-ISO 105-B06  
Vibration test conforming to IEC 60068-2-6  
Corrosion test: UNI EN ISO 9227  
Operating temperature: -30°C +120°C

## C) PACKAGING INFORMATION

Packing in boxes.  
Label indicating:  
product code, article, quantity,  
production batch,  
FIMO logo and figure.  
( Customer code on request ).

## D) MOUNTING INSTRUCTIONS

IST026

CODE	ARTICLE	$\varnothing$ D	L	H	BOX	WEIGHT
61 1556 0306	sRF M/ 3x6	5 - 6	12	49	50	72
61 1556 0307	sRF M/ 3x7	6 - 7	12	49	50	72
61 1558 0308	sRF M/ 3x8	7 - 8	12	49	50	72
61 1556 0309	sRF M/ 3x9	8 - 9	12	49	50	72
61 1556 0391	sRF M/ 3x9 M	9 - 10	12	49	50	72
61 1556 0310	sRF M/ 3x10	10 - 11	12	49	50	72
61 1556 0311	sRF M/ 3x11	10 - 11	22	91	50	141
61 1556 3012	sRF M/ 3x12	11 - 12	22	91	50	141
61 1556 0313	sRF M/ 3x13	12 - 13	22	91	50	139
61 1556 0314	sRF M/ 3x1/2" S (14)	13 - 14	22	91	50	138
61 1556 0338	sRF M/ 3x3/8" (16)	15 - 16	22	91	50	133
61 1556 0312	sRF M/ 3x1/2" (17)	16 - 17	22	91	50	126
61 1556 0358	sRF M/ 3x5/8" (23)	21 - 23	34	128	50	231
61 1556 0327	sRF M/ 3x7/8" S (27)	26 - 27	34	128	50	223
61 1556 0378	sRF M/ 3x7/8" (28)	27 - 28	34	128	50	223
61 1556 3178	sRF M/ 3x7/8" M (30)	29 - 30	34	128	50	217
61 1556 3118	sRF M/ 3x1.1/8" (38)	36 - 38	46	165	50	322
61 1556 3114	sRF M/ 3x1.1/4" (40)	39 - 40	46	165	50	322
61 1556 3148	sRF M/ 3x1.5/8" S (49)	48 - 49	58	202	25	406
61 1556 3158	sRF M/ 3x1.5/8" (52)	50 - 52	58	202	25	403

RI	DATE	DR	DATE	AP	Description:
02					Stainless cable clamps type sRF M For 3 coaxial cables, complete with 6 calibrated saddles. For articles see schedule.
01					
00	06/10/15	G.S.	06/10/15	A.V.	
1 <sup>ST</sup> EMISSION					
					Use: Fixing of 2 cables on flat 3-25 and round $\varnothing$ 8-25. 