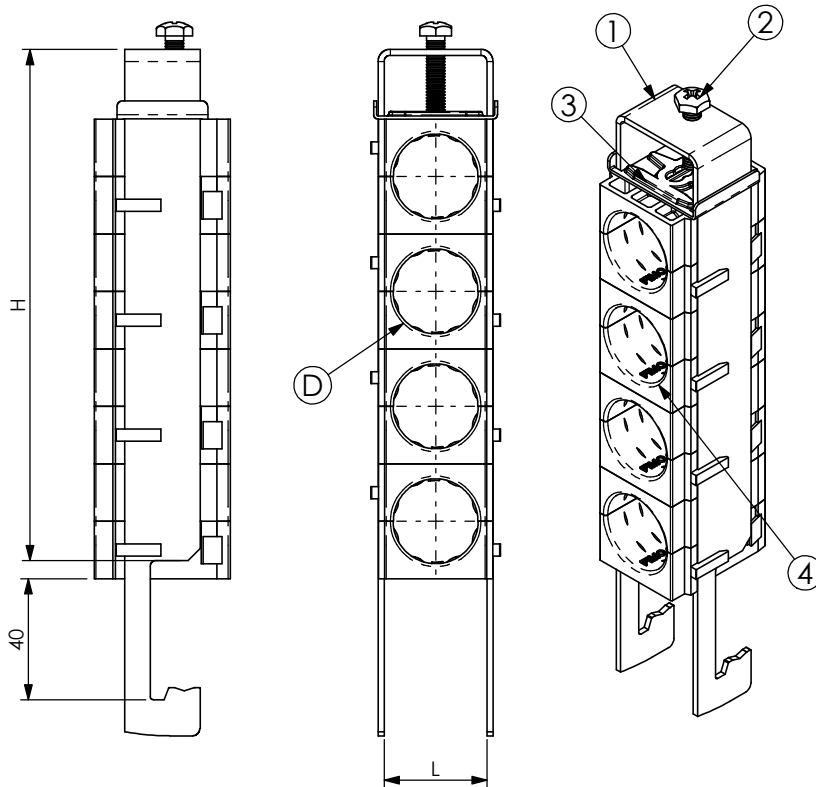


# PRODUCT DATA SHEET



## A) SPECIFICATIONS

- 1 Stainless steel bow  
Hooking on on L shaped  
angular support 40x40mm
- 2 Self-locking pressure screw M6
- 3 Stainless steel sliding pressure plate.
- 4 SAS black P.A. fiberglass saddles

## B) RESISTANCE TESTS

UV Test BS-ISO 105-B06  
Vibration test conforming to UNI 60068-2-6  
Operating temperature: -30°C +120°C

## C) PACKAGING INFORMATION

Packing in boxes.  
Label indicating:  
product code, article, quantity,  
production batch,  
FIMO logo and figure.  
( Customer code on request ).

## D) MOUNTING INSTRUCTIONS

IST026

CODE	ARTICLE	ø D	L	H	BOX	WEIGHT
61 1551 1411	sRF A4/ 4x11	10 - 11	22	118	50	173
61 1551 1412	sRF A4/ 4x1/2" (17)	16 - 17	22	118	50	166
61 1551 1478	sRF A4/ 4x7/8" (28)	27 - 28	34	166	50	293

RI	DATE	DR	DATE	AP	Description:
02					Stainless cable clamps type sRF A4 For 4 coaxial cables, complete with 8 calibrated saddles. For articles see schedule.
01					
00	01/02/16	G.S.	01/02/16	A.V.	
1 <sup>ST</sup> EMISSION					
					Use: Fastening of 4 coaxial cables to angular 40 x 40 mm.