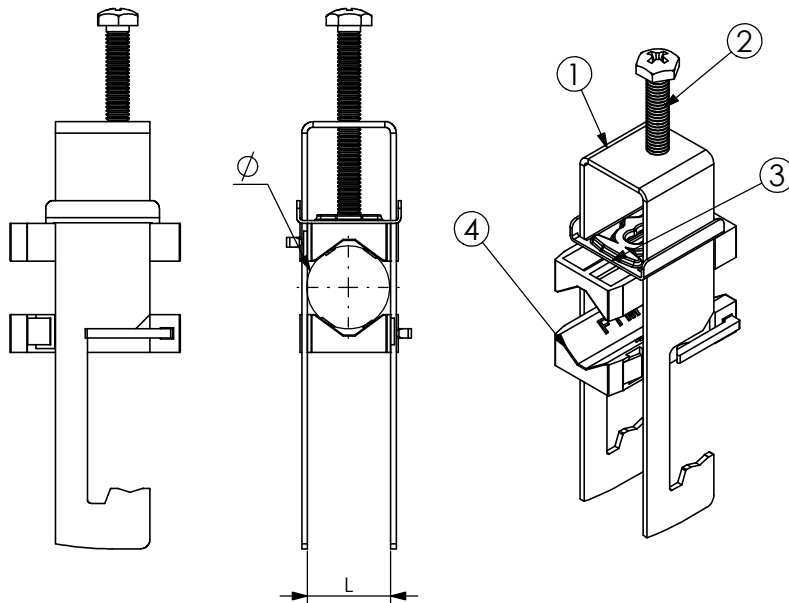


# PRODUCT DATA SHEET



## A) SPECIFICATIONS

- 1 Stainless steel bow  
Hooking on 40x40mm angular
- 2 Self-locking pressure screw M6
- 3 Stainless steel sliding pressure plate.
- 4 SEP black P.A. fiberglass saddles

## B) RESISTANCE TESTS

UV Test BS-ISO 105-B06  
Vibration test conforming to UNI 60068-2-6  
Operating temperature: -30°C +120°C

## C) PACKAGING INFORMATION

Packing in boxes.  
Label indicating:  
product code, article, quantity,  
production batch,  
FIMO logo and figure.  
( Customer code on request ).

## D) MOUNTING INSTRUCTIONS

IST026

CODE	ARTICLE	Nº CABLES	L	φ CABLES	BOX	WEIGHT
60 1511 0801	OX A4 / 1 x 12	1	12	6 - 12	100	54
60 1511 0803	OX A4 / 1 x 22	1	22	12 - 22	100	70
60 1511 0805	OX A4 / 1 x 34	1	34	22 - 34	100	114
60 1511 0807	OX A4 / 1 x 46	1	46	34 - 46	50	140
60 1511 0809	OX A4 / 1 x 58	1	58	46 - 58	50	168
60 1511 0811	OX A4 / 1 x 70	1	70	58 - 70	50	182

RI	DATE	DR	DATE	AP	Description:	
02					Stainless cable clamps type OX A4 For 1 coaxial cable, complete with 2 saddles. For articles see schedule.	
01						
00	31/08/16	G.S.	31/08/16	A.V.		
1 <sup>ST</sup> EMISSION						
						Use:  Fastening of 1 coaxial cable. Hooking on 40x40mm angular