

Power Divider

DESCRIPTION

- > 10 W unequal power divider.
- > The divider covers the frequency range from 40 - 1000 MHz.
- > Very little ripple on divider output over the entire frequency range.

SPECIFICATIONS

Electrical						
Model	PRO-PDI2-40-1G-... dB-10W-N					
Frequency	40 - 1000 MHz					
Max. Input Power	10 W					
Coupling	3 dB	6 dB	7 dB	8 dB	10 dB	20 dB
Impedance	50 Ω					
Input VSWR	< 1.5:1					
Nominal Divider Loss	3 dB	1.25 dB	0.8 dB	0.75 dB	0.45 dB	0.04 dB
Total Loss	3.7 dB @ 40 MHz 4.8 dB @ 1000 MHz	2 dB @ 40 MHz 3.75 dB @ 1000 MHz	2 dB @ 40 MHz 2.75 dB @ 1000 MHz	1.8 dB @ 40 MHz 2.9 dB @ 1000 MHz	1.8 dB @ 40 MHz 2.9 dB @ 1000 MHz	0.8 dB @ 40 MHz 1.7 dB @ 1000 MHz
Isolation Between Outputs	17 dB	10 dB	10 dB	10 dB	12 dB	15 dB
Divider Output	Equal	-6.5 ± 0.5 dB	-7.0 ± 0.5 dB	-8.0 ± 0.5 dB	-10.0 ± 0.5 dB	20.0 ± 1.0 dB
No. of Channels	2					

Mechanical	
Connection(s)	N(f)
Dimensions	129 (incl. conn.) x 152 (incl. flanges) x 35 mm 5.08 x 5.98 x 1.38 in.
Weight	0.36 kg / 0.79 lb.

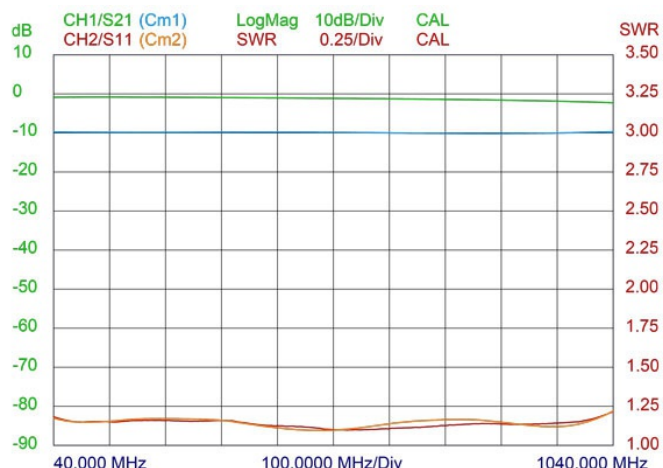
Environmental	
Operating Temperature Range	-30°C to +60°C

ORDERING

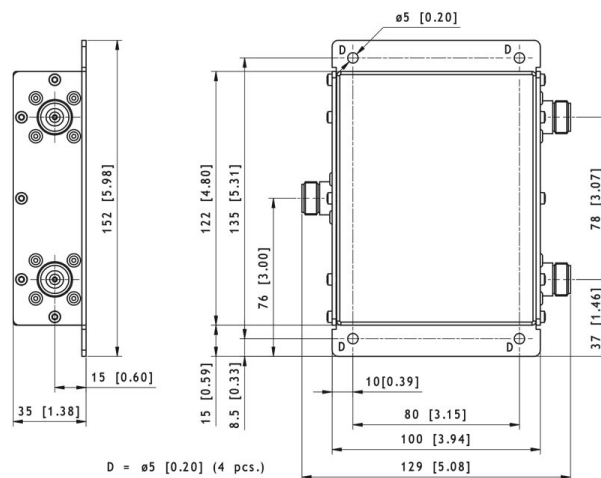
Model	Product No.
PRO-PDI2-40-1G-3 dB-10W-N	210000438
PRO-PDI2-40-1G-6 dB-10W-N	210000440
PRO-PDI2-40-1G-7 dB-10W-N	210000443
PRO-PDI2-40-1G-8 dB-10W-N	210000444
PRO-PDI2-40-1G-10 dB-10W-N	210000446
PRO-PDI2-40-1G-20 dB-10W-N	210000445



TYPICAL RESPONSE CURVE (-10 DB VERSION)



MOUNTING DETAILS



All dimensions are given in mm [in.]