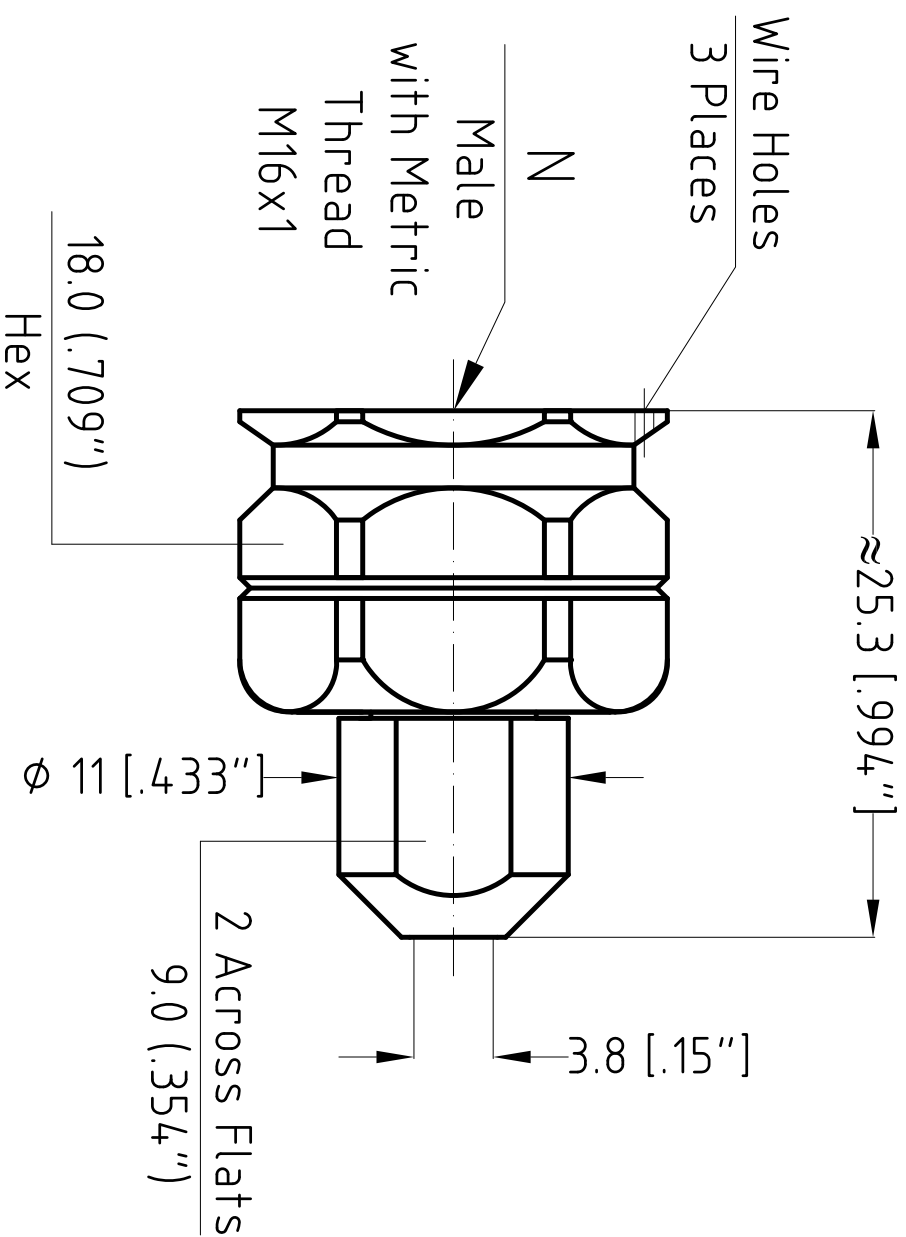


## Electrical Specifications

Frequency:	DC - 18.0 GHz
Impedance:	50 Ohms
VSWR:	1.03 + 0.005 x f(GHz)
Insertion Loss:	0.05 x SQT(f(GHz)) dB
RF Leakage:	-(90 - f(GHz)) dB
Insulation Resistance:	shall not be less than 5,000 megohms
Dielectric Withstanding Voltage:	2,500 Volts rms at Sea Level
RF High Potential Withstanding Voltage:	1,500 Volts rms at 5 MHz
<b>Materials</b>	
Steel	Corrosion resistant 1.4305 per DIN EN 10088-3 (ASTM-A-582-80)
Copper Beryllium	33-25 CuBe2Pb H per DIN 17666 (ASTM-B-196)
Brass	CuZn39Pb3; CW614N, per DIN EN 12163/12164 (ASTM-B-16)
PTFE	Poly TetraFluoroEthylene per ASTM-D-1710
Silicone Rubber	per DIN 3771 (A-A-59588, Class 2B) Grade 50-75
<b>Finish</b>	
Stainless Steel	shall be passivated per ASTM-A-967
Copper Beryllium	Centre Contacts shall be gold plated to a minimum thickness of .00005 inch (1.27 µm) in accordance with ASTM-B-488, Type III, Code C, Class 125
Brass	Ferrules shall be gold plated to a minimum thickness of .000031 inch (0.75 µm) per ASTM-B-488, Type III, Code C, Class 0.75



To improve our product we reserve the right to make changes. Specifications are therefore subject to change without notice.

<b>DRAWING-SETS</b>		<b>SURFACE TREATMENT</b>		<b>ADM. TOL.</b>		<b>SURFACE</b>		<b>SCALE</b>		<b>WEIGHT</b>	
3003-1102-02				ISO 1302		MATERIAL		N Male Connector			
				DATE		NAME		DESCRIPTION			
				DRAWN 12.05.15		JPH		Straight, with Metric Thread,			
				APPROV. 13.05.15		WDN		to fit on S/R and HandyForm Cables 0.141"			
				NORM				DRAWING NUMBER		05-11-04,0210	
								SHEET		OF	
								EDV-NR		KUZ	
								CODE: C3117			

THIS DRAWING ENGAGES A CONFIDENTIAL PROPERTY DESIGN ORIGINATED BY SPECTRUM ELECTROTECHNIK GMBH AND IS THE PROPERTY OF SPECTRUM ELECTROTECHNIK GMBH. ALL RIGHTS RESERVED. ANY REPRODUCTION, DISTRIBUTION, OR SALE OF THIS DRAWING WITHOUT THE WRITTEN PERMISSION OF SPECTRUM ELECTROTECHNIK GMBH IS EXPRESSLY PROHIBITED. ANY SPECIAL FEATURES REGULAR TO THIS DESIGN, ALL PATENT RIGHTS HERETO ARE EXPRESSLY RESERVED BY SPECTRUM ELECTROTECHNIK GMBH.



CODE: C3117

EDV-NR

KUZ

OF