

11 N 75 - 7 - 16c  
11N75-7-18 c

21.11.77 /β.

Impedance: 75 Ohm (Caution: non intermateable with  
50 Ohm type N!)

Frequency Range: DC - 1000 MHz

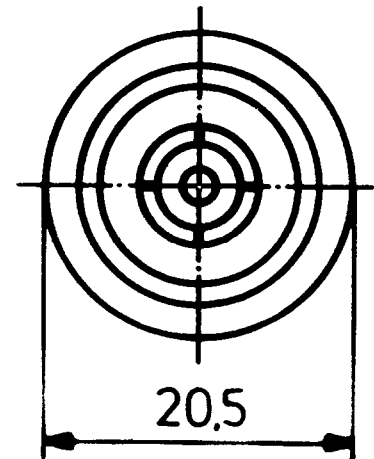
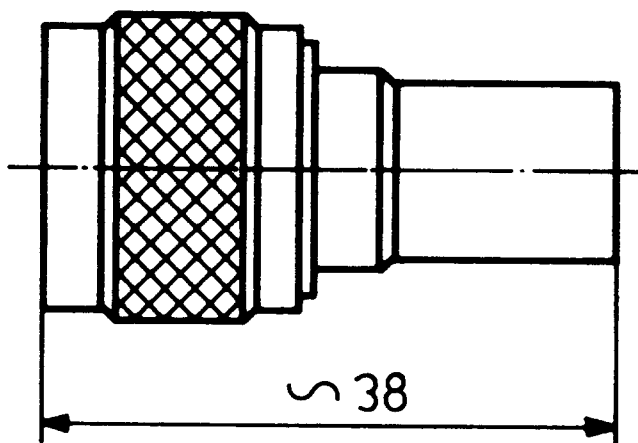
VSWR:  $\leq 1,15$

Insertion Loss:  $\leq 0,15$  dB at 1 GHz

Insulation Resistance:  $\geq 10^5$  M Ohm

Temperature Range: - 65° /+ 165° C

Test Voltage: 2,5 kV rms 1 Minute



M. 2:1



HUBER + SUHNER AG  
9100 Herisau

4.13.130 b