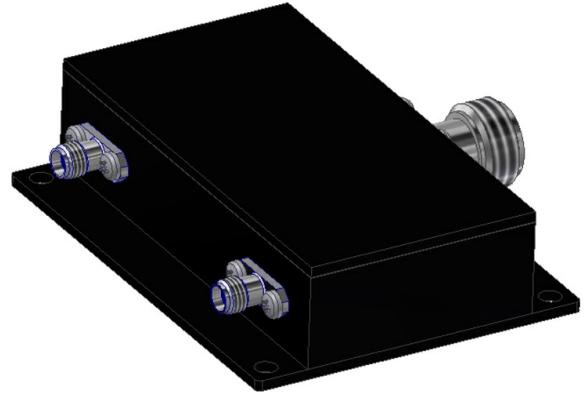


3G/WIFI Diplexer for the 698 - 2200 MHz and 2400 - 2690 MHz Ranges

DESCRIPTION

- > Diplexer for combining or splitting low LTE/GSM/UMTS (698-2200MHz) and WIFI/high LTE (2400-2690 MHz).
- > Elliptical filter design.
- > Diplexer for combining or splitting 3G bands (698 - 2200 MHz) and WIFI (2400 – 2690 MHz).
- > Wide temperature range -40° C to +85° C.



ORDERING

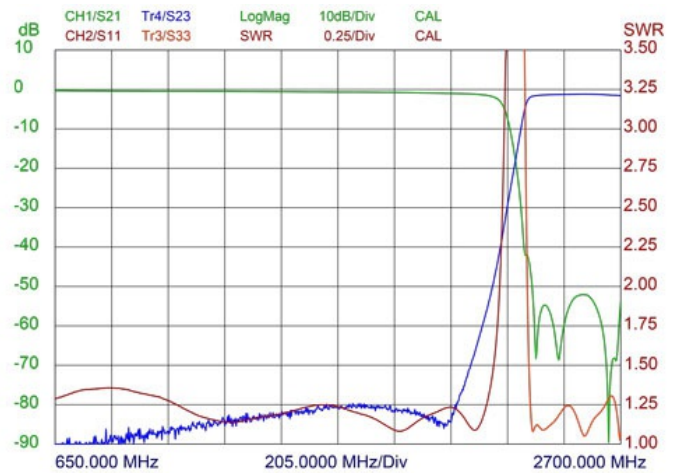
Model	Product No.
PRO-DIPX 698-2200/2400-2690-N(f)/SMA(f)	200002484

SPECIFICATIONS

Electrical	
Model	PRO-DIPX 698-2200/2400-2690
Frequency	Low port : 698 - 2200 MHz High port : 2400 - 2690 MHz
Max. Input Power	20 W
Insertion Loss	698 - 2200 MHz : ≤ 1.5 dB 2400 - 2690 MHz : ≤ 2.0 dB
Impedance	50 Ω
Isolation	≥ 50 dB
VSWR	Low port : < 1.5 High port : < 1.5

Mechanical	
Connection(s)	N female on antenna port, SMA(f) on high and low port
Dimensions	65 x 85 x 22 mm / 2.56 x 3.35 x 0.87 in. (excl. connectors and flanges)
Weight	0.188 kg / 0.41 lb
Mounting	4.3 mm dia. (4 holes)
Environmental	
Operating Temperature Range	-40°C to +85°C

TYPICAL RESPONSE CURVES



MOUNTING DETAILS

