

100 W Low PIM Diplexer for the 80 - 520 MHz and 790 - 2700 MHz ranges

DESCRIPTION

- > Diplexer for combining or splitting the two ranges 80 – 520 MHz and 790 – 2700 MHz.
- > IP 67 rated for both indoor and outdoor use.
- > Superior PIM performance.
- > Low PIM
- > Very low insertion loss.
- > Wide temperature range.
- > N-female or 7/16 DIN-female connectors on all ports.
- > Coated with 2-component lacquer for maximum weather protection.

SPECIFICATIONS

Electrical	
Model	PRO-DIPX 520/790-2700-LP
Frequency	LOW port : 80 - 520 MHz HIGH port : 790 - 2700 MHz
Max. Input Power	100 W CW simultaneously on both LOW and HIGH port
Insertion Loss	80-520 MHz: =0.4 dB, typ.<0.2dB 698-790 MHz: =0.8 dB, typ.<0.5dB 790-2700 MHz: =0.4 dB,typ.<0.2dB
Impedance	50 Ω
Isolation Low-High Port	80-520 MHz: = 50 dB, typ. 65 dB 698-790 MHz: = 40 dB, typ. 47 dB 790-2700MHz: = 50 dB, typ. 75 dB
VSWR	80-520 MHz: = 1.5:1 (RL > 14 dB) 698-790 MHz: = 1.9:1 (RL > 10 dB) 790-2700MHz: = 1.5:1 (RL > 14 dB)
Passive Intermodulation	< -150 dBc (2 x 43dBm)
Mechanical	
Connection(s)	7/16 DIN-female or N-female
Dimensions	273.3 x 177 x 36 mm / 10.76 x 6.97 x 1.42" (incl. connectors and flanges)
Weight	0.8 kg / 1.76 lb
Mounting	4.3mm dia. (4 holes)
Environmental	
Operating Temperature Range	-30°C to +60°C
Ingress Protection	IP67

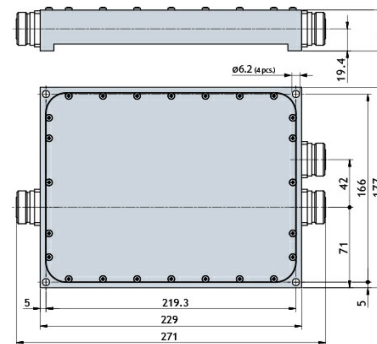
ORDERING

Model	Product No.
PRO-DIPX 520/790-2700-LP-N(f)	200002618
PRO-DIPX 520/790-2700-LP-7/16(f)	200002619



DIAGRAM

MOUNTING DETAILS



TYPICAL RESPONSE CURVES

