

HUBER+SUHNER®

OMNI ANTENNA

FOR WIRELESS COMMUNICATION



Mounting Instruction



Be careful when working at height!
Always secure ladders!
Always tighten screws!

If exposed to extreme environmental conditions, especially polluted atmosphere, the connector should be covered with a self-vulcanising tape or a cold shrink tube.

Precautions should be taken to avoid vandalism. Select carefully the location of the antenna.

Dimensions in millimeter [mm]

- 1) The roof of the ceiling should have sufficient mechanical stability to ensure a correct installation of the antenna.
- 2) The vulcanized rubber ring has to be between the washer and the ceiling

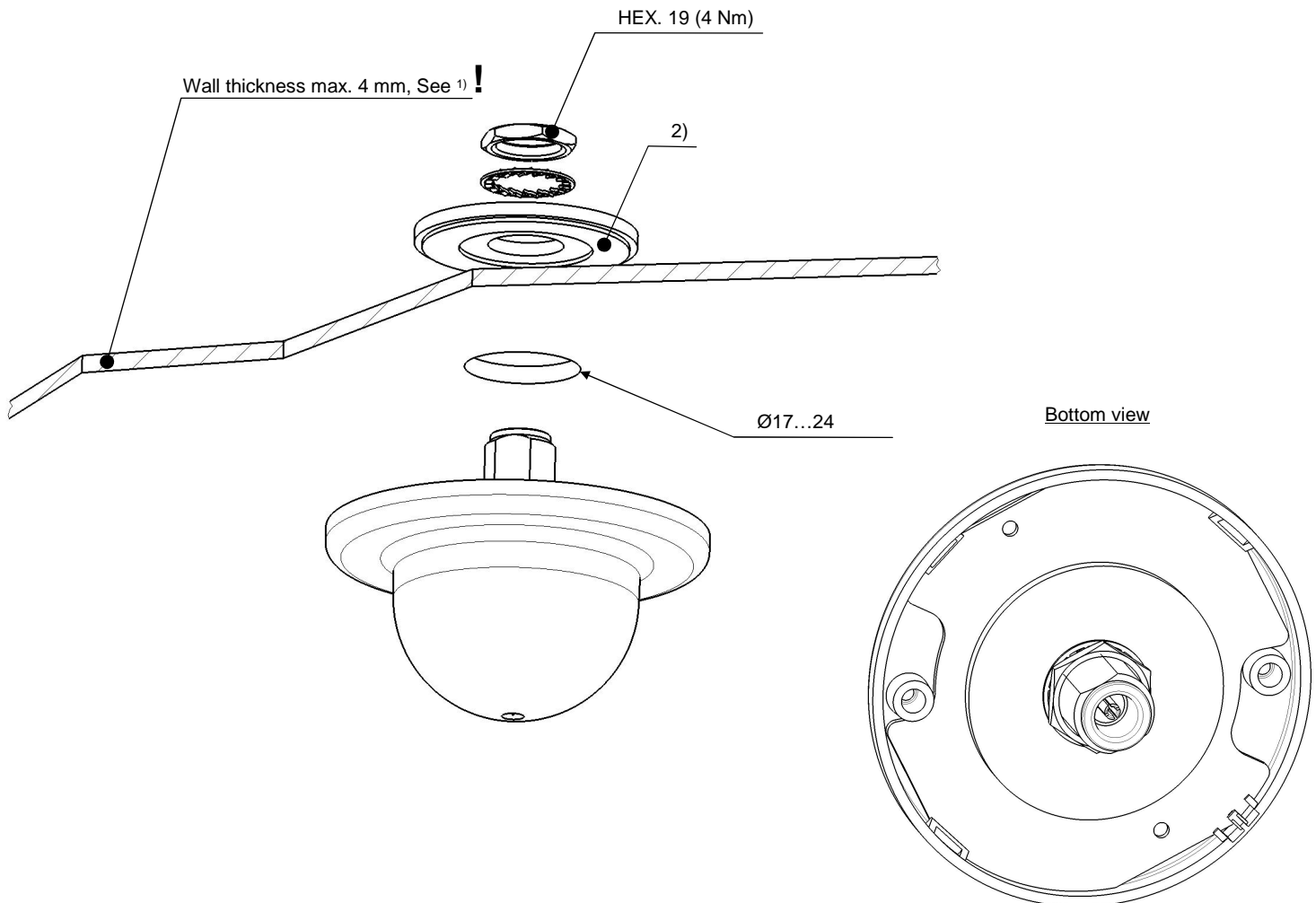
Fire Behaviour:

This antenna contains a mass of non-metallic material smaller than 100g and has been designed in view to comply with the NF F16-101 and 102 standards. This product can be fitted in a passenger or in a technical compartment whatever the category A1, A2 or B of rolling stock.

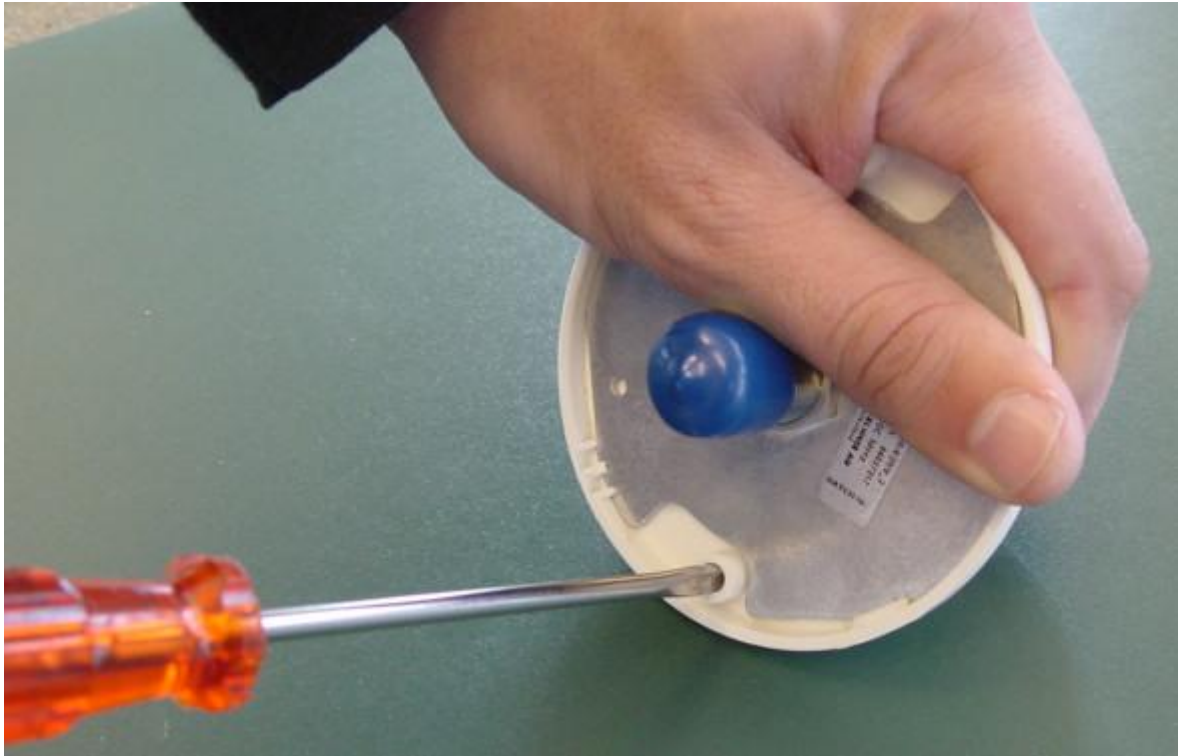
The antenna can be installed in two ways: connector mount and screw mount.

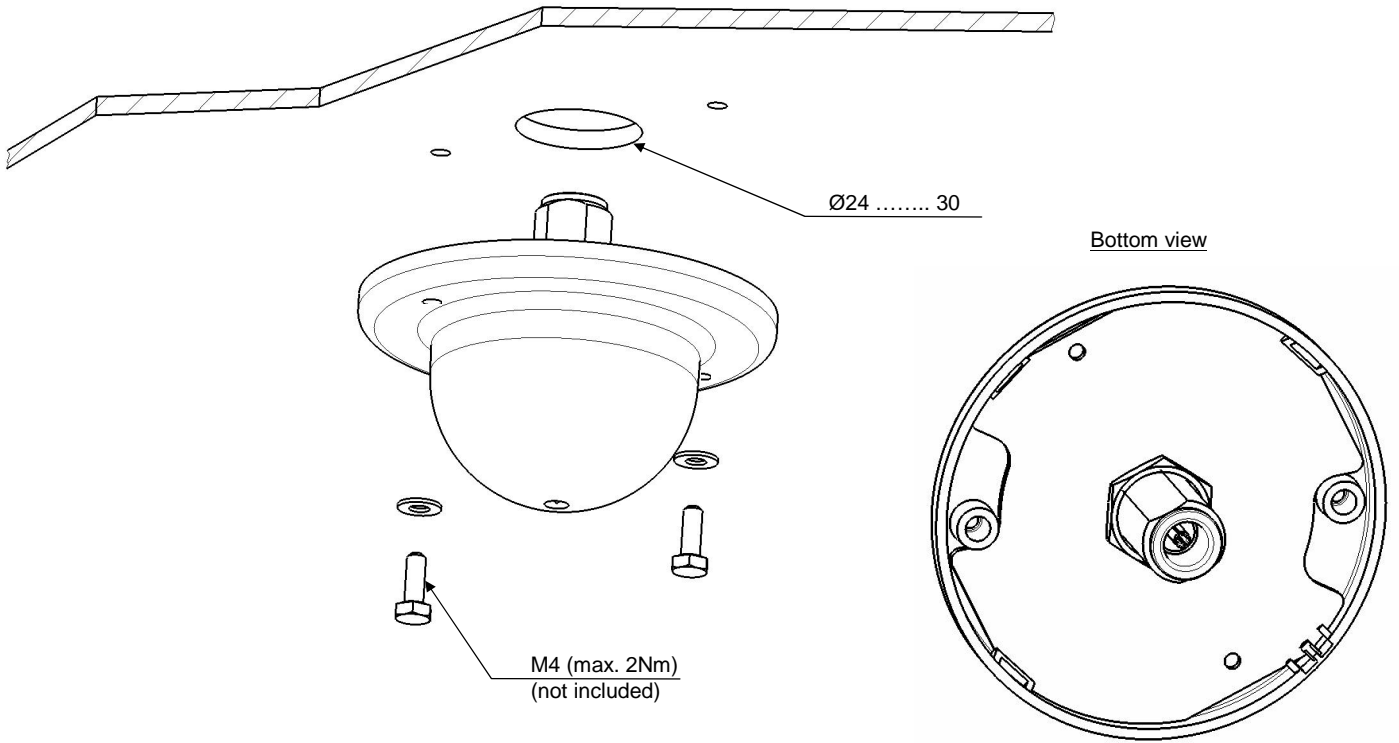
Connector mount

If necessary the mounting surface should be reinforced.

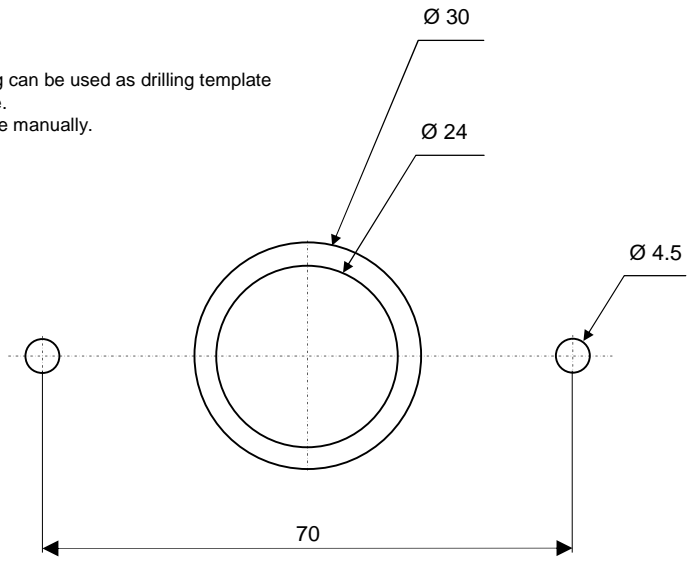


In preparation for screw mounting using external screws which are fitted from the surface of the antenna, the „push through membrane“ on the antenna radome must be broken. This can be achieved by using an appropriate tool such as a screw driver, as shown below.





This drawing can be used as drilling template
Do not scale.
Do not revise manually.



HUBER+SUHNER is certified according to ISO 9001 and ISO 14001

WAIVER!
It is exclusively in written agreements that we provide our customers with warrants and representations as to the technical contained specifications and/or the fitness for any particular purpose. The facts and figures herein are carefully compiled to the best of our knowledge, but they are intended for general informational purposes only.

HUBER+SUHNER – Excellence in Connectivity Solutions



HUBER+SUHNER AG
RF Technology
9100 Herisau, Switzerland
Phone +41 (0)71 353 41 11
Fax +41 (0)71 353 47 51
www.hubersuhner.com

Doc. No. 0000247533
Art. No. 84033303
Revision C