

# HUBER+SUHNER® OMNI ANTENNA FOR WIRELESS COMMUNICATION



## Mounting Instruction



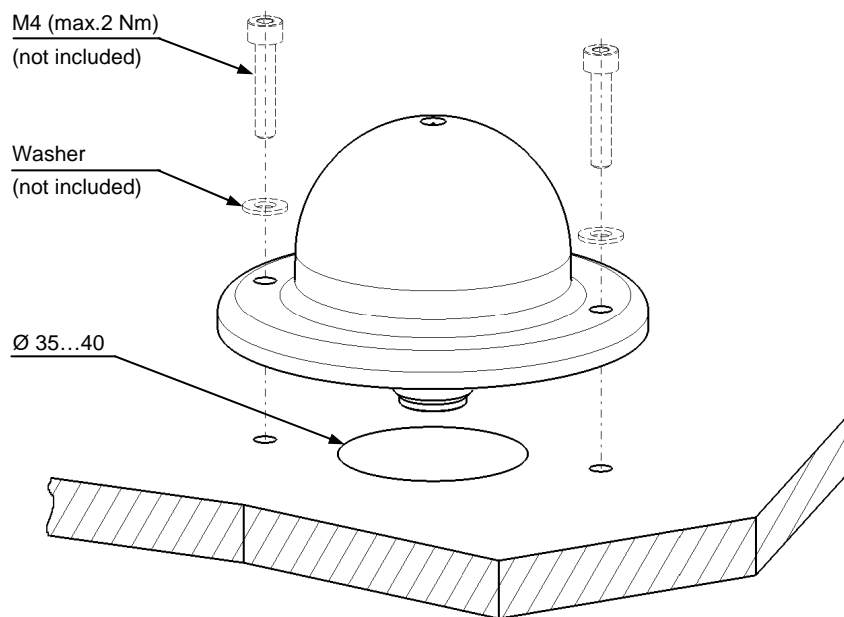
Keep away from catenary and high voltage lines.  
Be careful when working at height!  
Always secure ladders!  
Always tighten screws!

If exposed to extreme environmental conditions, especially polluted atmosphere, the connectors should be covered with a self-vulcanising tape or a cold shrink tube.

Dimensions in millimetre [mm]

- 1) The roof of the vehicle should have sufficient mechanical stability to ensure a correct sealing of the antenna.
- 2) For outdoor overhead mounting please ensure that the complete backside of the antenna is weather protected.

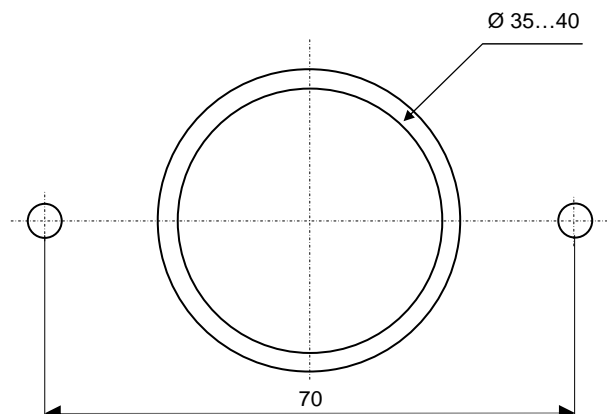
### Indoor



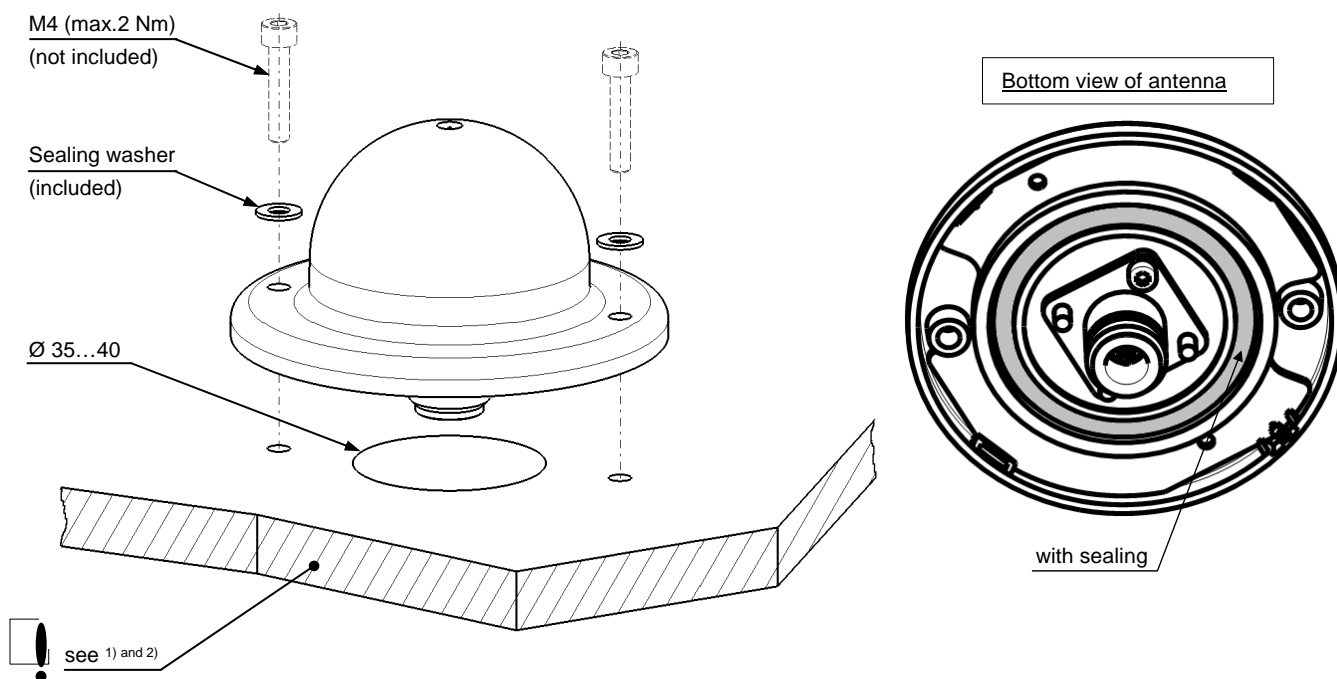
### Drilling template



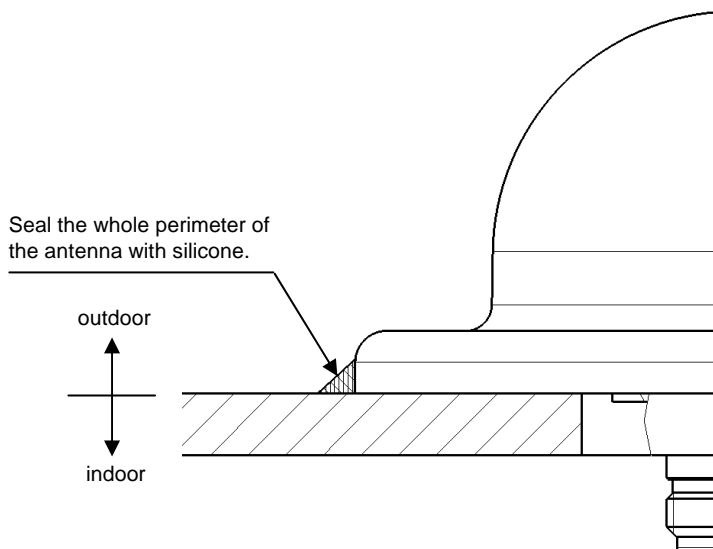
This drawing can be used as drilling template  
Do not scale.  
Do not revise manually.



Outdoor – step 1



Outdoor – step 2



Clean the mounting surfaces before apply the silicone. Antenna should be cleaned only with methyl, isopropyl or a mild soap solution.  
Use only one-component silicone sealant that cures by air humidity.

HUBER+SUHNER is certified according to ISO 9001, ISO 14001 and ISO/TS 16949.

**WAIVER!**

It is exclusively in written agreements that we provide our customers with warrants and representations as to the technical contained specifications and/or the fitness for any particular purpose. The facts and figures herein are carefully compiled to the best of our knowledge, but they are intended for general informational purposes only.

HUBER+SUHNER – Excellence in Connectivity Solutions



**HUBER+SUHNER AG**  
**RF Technology**  
**9100 Herisau, Switzerland**  
 Phone +41 (0)71 353 41 11  
 Fax +41 (0)71 353 47 51  
 www.hubersuhner.com

Doc. No. 0000224458 / Old No. 01.02.1089  
 Art. No. 84011485  
 Revision G