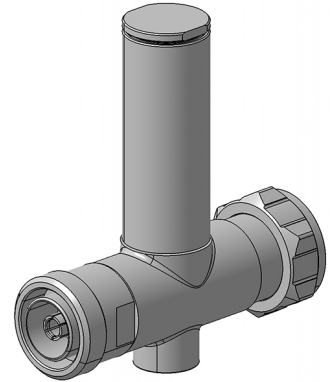


EMP Protector 3407.41.0038

Description

Quarter-wave stub technology with integrated high-pass filter

Compliant to IEC 61643-21



Product Configuration

Main path connectors Port 1: unprotected, 7/16 plug (male) - Port 2: protected, 7/16 jack (female)
Mounting and grounding M8 (screw), brk (bracket)

Technical Data

Electrical Data

Impedance 50 Ω
Frequency range 380 - 512 MHz
Return loss ≥ 20 dB
Insertion loss ≤ 0.2 dB
RF CW power ≤ 500 W
PIM 3rd order not specified

Surge current handling capability 80 multiple kA (test pulse 8/20 μs)
Residual pulse energy 0.03 μJ typically (test pulse 4 kV 1.2/50 μs / 2 kA 8/20 μs) main path - protected side

Mechanical Data

Weight 430 g

Environmental Data

Operating temperature -40 °C to +85 °C
Waterproof degree IP65 (according to IEC 60529, data refer to the coupled state)
2011/65/EU (RoHS - including 2015/863 and 2017/2102) compliant acc. Annex III

Material Data

Piece Parts	Material	Surface Plating
Housing	Brass	SUCOPLATE (R) Plating
Port 1 center contact	Brass	Silver Plating
Port 2 center contact	Copper Beryllium Alloy	Silver Plating

Related Documents

Outline drawing DOU-00057102.1
Mounting instruction DOC-0000176104