

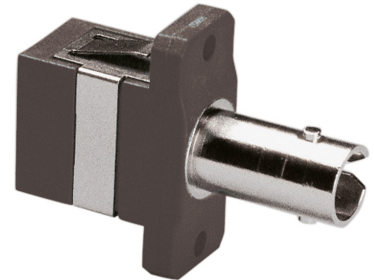
FSC-FST-D101_100-P

Description

SC-ST adaptor, MM, PC, black, simplex, 2-hole flange

Features

- Hybrid adaptor SC-ST
- 2-hole flange
- SC: IEC 61754-4, TIA 604-3
- ST: IEC 61754-2, TIA 604-2



Technical Data

General Data

Characteristics	Values
Adaptor family	SC ST
Adaptor type	MM PC,
Weight in kg	0.0053
Material	Plastic
Color of housing	Black

Mechanical Data

Characteristics	Values
Operating temperature min. (°C)	-40
Operating temperature max. (°C)	85
Min. mating cycles	1000

Optical Data

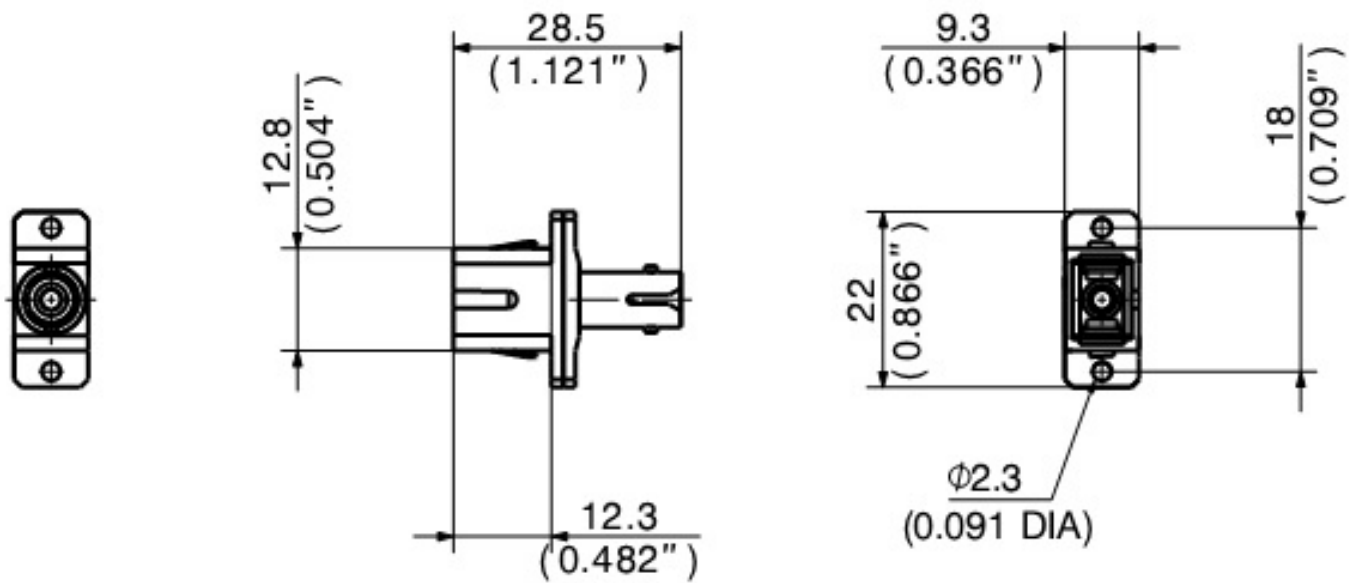
Characteristics	Values
IL repeatability (dB)	0.1

Environment Data

Characteristics	Values
RoHS compliant	Yes
REACH compliant	Yes
UV resistant	Yes
Flammability rating	UL 94 V-0
Free of halogen	Yes

FSC-FST-D101_100-P

Technical drawing



Ordering information

Description	Item number
FSC-FST-D101_100-P	23004792