

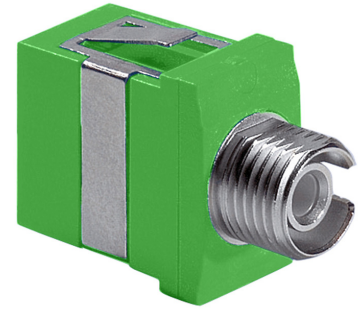
FSC-FCPC-A600_100-P

Description

SC-FC adaptor, SM, APC, green, simplex, snap-in flange, small key

Features

- Hybrid adaptor SC-FC
- Small key
- SC: IEC 61754-4, TIA 604-3
- FC: IEC 61754-13, TIA 604-4-A



Technical Data

General Data

Characteristics	Values
Adaptor family	SC FCPC
Adaptor type	SM APC,
Weight in kg	0.0044
Material	Plastic
Color of housing	Green

Mechanical Data

Characteristics	Values
Operating temperature min. (°C)	-40
Operating temperature max. (°C)	85
Min. mating cycles	1000

Optical Data

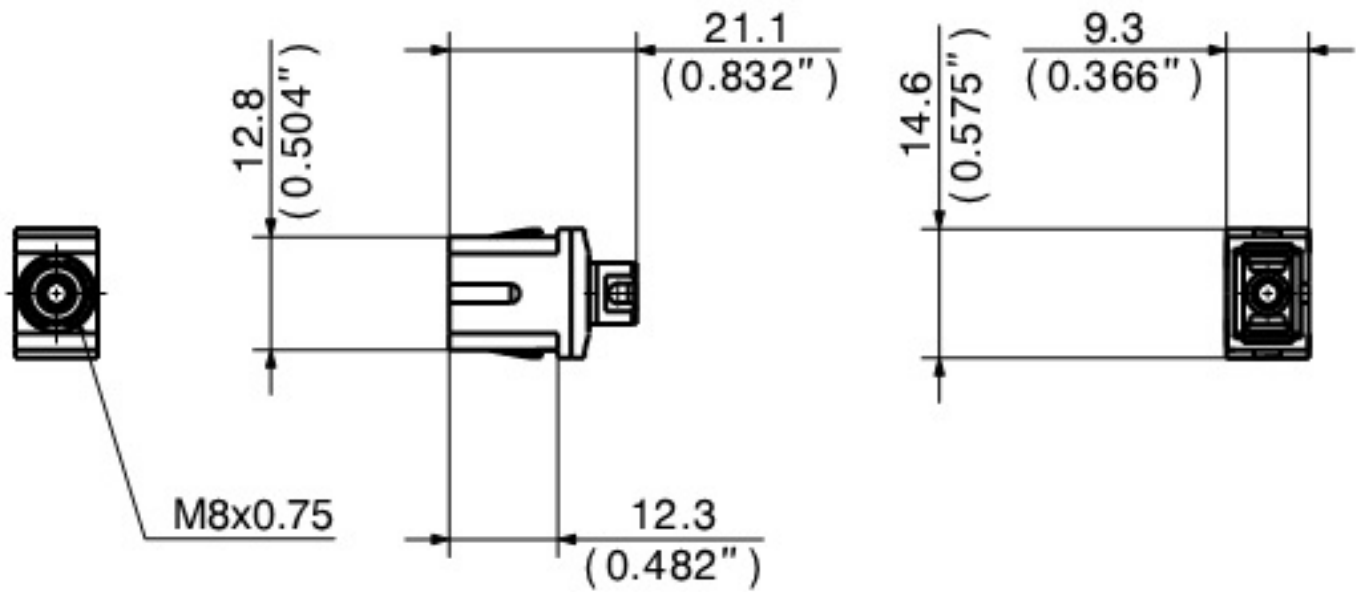
Characteristics	Values
IL repeatability (dB)	0.1

Environment Data

Characteristics	Values
RoHS compliant	Yes
REACH compliant	Yes
UV resistant	Yes
Flammability rating	UL 94 V-0
Free of halogen	Yes

FSC-FCPC-A600_100-P

Technical drawing



Ordering information

Description	Item number
FSC-FCPC-A600_100-P	84030224