

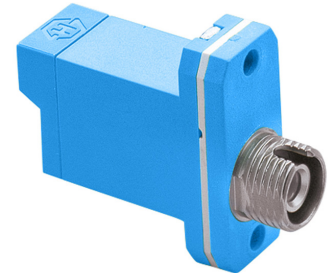
## FLSH-FCPC-D101

### Description

LSH-FC adaptor, SM, UPC, blue, simplex, 2-hole flange, wide key

#### Features

- Hybrid adaptor LSH/FCPC
- 2-hole flange
- Wide key
- LSH: IEC 61754-15, TIA 604-16
- FC: IEC 61754-13, TIA 604-4-A



### Technical Data

#### General Data

Characteristics	Values
Adaptor family	LSH FCPC
Adaptor type	SM UPC,
Weight in kg	0.0057
Material	Plastic
Color of housing	Blue

#### Mechanical Data

Characteristics	Values
Operating temperature min. (°C)	-40
Operating temperature max. (°C)	85
Min. mating cycles	1000

#### Optical Data

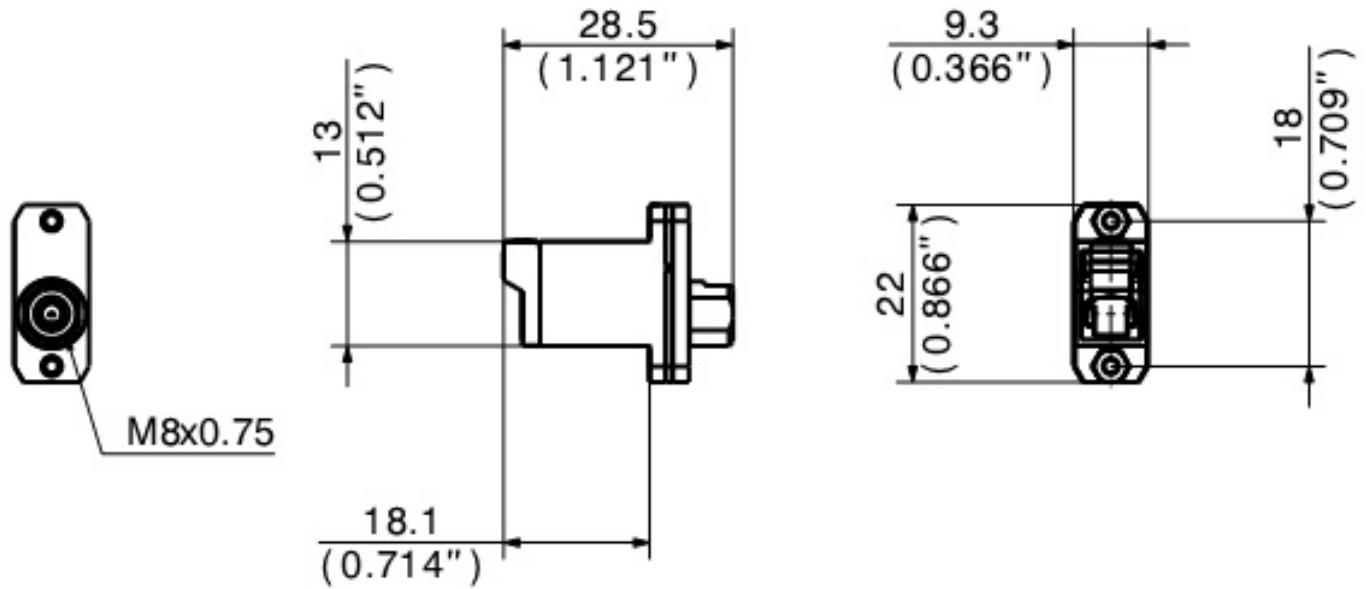
Characteristics	Values
IL repeatability (dB)	0.1

#### Environment Data

Characteristics	Values
RoHS compliant	Yes
REACH compliant	Yes
UV resistant	Yes
Flammability rating	UL 94 V-0
Free of halogen	Yes

## FLSH-FCPC-D101

### Technical drawing



### Ordering information

Description	Item number
FLSH-FCPC-D101	22664001