

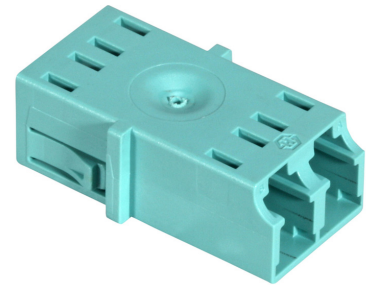
## FLC-FLC-A302-02\_100-P

### Description

FLC Adaptor, OM3, PC, aqua, duplex, without flange

#### Features

- Two connections in one SC-shaped adaptor
- One-piece design for highest precision
- Integrated fixing spring
- Ceramic sleeves



### Technical Data

#### General Data

Characteristics	Values
Specified acc. to	IEC 61754-20, TIA 604-10-A
Adaptor family	LC
Adaptor type	OM3 PC,
Weight in kg	0.0028
Material	Plastic
Color of housing	Aqua

#### Mechanical Data

Characteristics	Values
Operating temperature min. (°C)	-40
Operating temperature max. (°C)	85
Min. mating cycles	1000

#### Optical Data

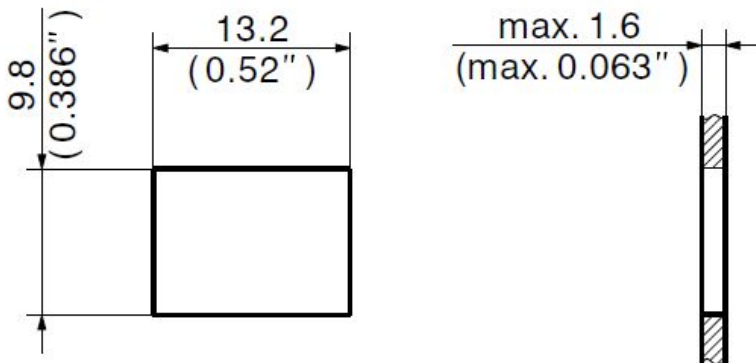
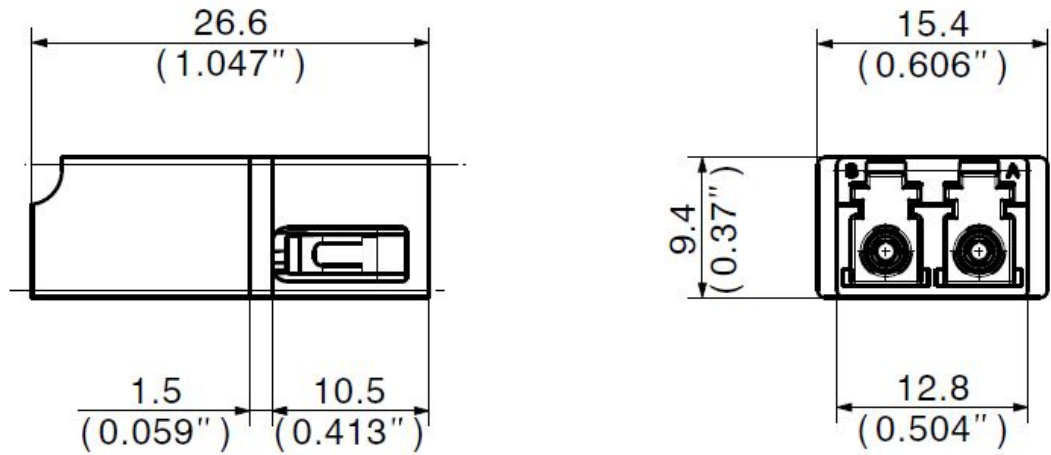
Characteristics	Values
IL repeatability (dB)	0.1

#### Environment Data

Characteristics	Values
RoHS compliant	Yes
REACH compliant	Yes
UV resistant	Yes
Flammability rating	UL 94 V-0
Free of halogen	Yes

## FLC-FLC-A302-02\_100-P

### Technical drawing



### Ordering information

Description	Item number
FLC-FLC-A302-02_100-P	84090247