

Waveguide To Coax Adapters



The Precision Waveguide to Coax Adapters are impedance matching a 50 Ohm coaxial transmission line to Rectangular or Double Ridge Waveguides. Spectrum's Precision Adapters offer excellent VSWR and low insertion loss over their respective full operating frequency bands. The adapters feature Top-Launched or End-Launched probes, they can be optimized for performance over customers specific frequency bands. A comprehensive range of precision stainless steel connectors are fitted as standard.

Ordering information for Waveguide to Coax Adapters.

For details please refer to the following pages.

WA	- BCDE -	GH	JK
<p>These first two digits stand for: Waveguide Adapter</p>	<p>WAVEGUIDE CODE:</p> <p>Please use Waveguide code as per table below.</p>	<p>CONNECTOR CODE:</p> <p>Please use Connector code as per table below.</p>	<p>CONFIGURATION:</p> <p>O1: Top Launched and Standard Flange H1: End- Launched and Standard Flange</p> <p><small>A special number will be assigned for units made to customer specification.</small></p>

Designation			Waveguide Code	Frequency (GHz)	Waveguide Dimensions (inches)	Standard Flanges
EIA (WR)	DEF (WG)	IEC (R)				
650	6	14	R650	1.12 - 1.70	6.500 x 3.250	UG418AU
510	7	18	R510	1.45 - 2.20	5.100 x 2.550	UG1717U
430	8	22	R430	1.70 - 2.60	4.300 x 2.150	UG1711U
340	9A	26	R340	2.20 - 3.30	3.400 x 1.700	UG1713U
284	10	32	R284	2.60 - 3.95	2.840 x 1.340	UG1725U
229	11A	40	R229	3.30 - 4.90	2.290 x 1.145	UG1727U
187	12	48	R187	3.95 - 5.85	1.872 x 0.872	UG1729U
159	13	58	R159	4.90 - 7.05	1.590 x 0.795	UG1731U
137	14	70	R137	5.85 - 8.20	1.372 x 0.622	UG1733U
112	15	84	R112	7.05 - 10.0	1.122 x 0.497	UG51U
90	16	100	R090	8.20 - 12.4	0.900 x 0.400	UG135U
75	17	120	R075	10.0 - 15.0	0.750 x 0.375	UBR120A
62	18	140	R062	12.4 - 18.0	0.622 x 0.311	UG1665U
51	19	180	R051	15.0 - 22.0	0.510 x 0.255	UBR180A
42	20	220	R042	18.0 - 26.5	0.420 x 0.170	UG597U
34	21	260	R034	22.0 - 33.0	0.340 x 0.170	UBR260A
28	22	320	R028	26.5 - 40.0	0.280 x 0.140	UBR320A

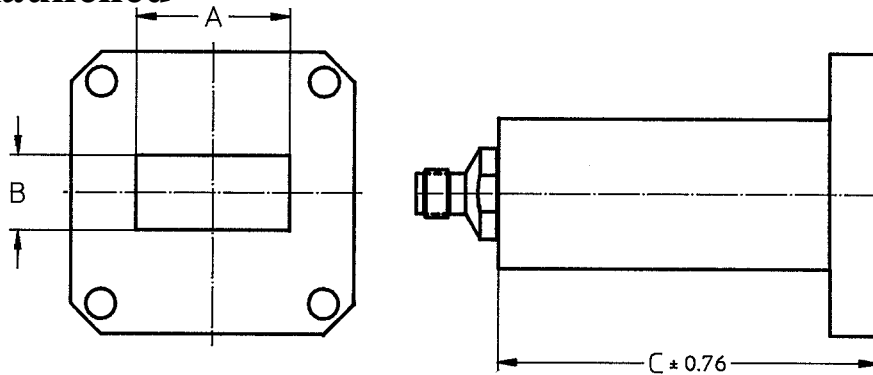
Designation (WRD)	Waveguide Code	Frequency (GHz)	Waveguide Dimensions (inches)	Standard Flanges (All Clear)
200 - D24	D200	2.00 - 4.80	Please refer to pages 180 and 181.	WRD 200 - D24 Cover
350 - D24	D350	3.50 - 8.20		WRD 350 - D24 Cover
350 - D36	D351	3.50 - 12.40		WRD 350 - D36 Cover
475 - D24	D475	4.75 - 11.00		WRD 475 - D24 Cover
500 - D36	D500	5.00 - 18.00		WRD 500 - D36 Cover
650 - D28	D650	6.50 - 18.00		WRD 650 - D28 Cover
750 - D24	D750	7.50 - 18.00		WRD 750 - D24 Cover

Connector Type	Sex	Connector Code
24 mm 24 mm	Female	HF
	Male	HM
3.5 mm 3.5 mm	Female	92
	Male	91
7 mm	4 slots conductor	90
	6 slots conductor	96
7/16 7/16	Female	76
	Male	75
HN HN	Female	68
	Male	69
K* K*	Female	KF
	Male	KM
N N	Female	61
	Male	51
SC SC	Female	79
	Male	80
SMA SMA	Female	21
	Male	11
TNC TNC	Female	41
	Male	31

Not all the Connectors listed have been designed for any of the waveguides. This also will not be desired by the customers, as the frequency ranges of the waveguides and the connectors should match

* 'K' Connector is a trademark of Wiltron Company.

end - launched



Designation			Frequenc (GHz)	VSWR max.	Recommend Power Rating ¹⁾		Dimensions (mm)				Standard Flange ³⁾	Standard Material	Comment	Part Number ²⁾
EIA (WR)	DEF (WG)	IEC (R)			cw (W)	peak (KW)	A	B	C					
650	6	14	1.12-1.70				165.10	82.55			UG418A/	Aluminum		
510	7	18	1.45-2.20				129.54	64.77			UG417A/	Aluminum		
430	8	22	1.70-2.60				109.22	54.61			UG1711/U	Aluminum		
340	9A	26	2.20-3.30				86.36	43.18			UG1713/U	Aluminum		
284	10	32	2.60-3.95	1.50	1000	20	72.136	34.036	203.2		UG1725/U	Aluminum	high power	WA-R284-XXH1
284	10	32	2.60-3.95	1.50	1000	20	72.136	34.036	203.2		UG1724/U	Brass	high power	
229	11A	40	3.30-4.90	1.50	1000	20	58.166	29.083	177.8		UG1727/U	Aluminum	high power	WA-R229-XXH1
229	11A	40	3.30-4.90	1.50	1000	20	58.166	29.083	177.8		UG1726/U	Brass	high power	
187	12	48	3.95-5.85	1.50	1000	20	47.549	22.149	152.4		UG1729/U	Aluminum	high power	WA-R187-XXH1
187	12	48	3.95-5.85	1.50	1000	20	47.549	22.149	152.4		UG1728/U	Brass	high power	
159	13	58	4.90-7.05	1.50	750	16	40.386	20.193	127.0		UG1731/U	Aluminum	high power	WA-R159-XXH1
159	13	58	4.90-7.05	1.50	750	16	40.386	20.193	127.0		UG1730/U	Brass	high power	
137	14	70	5.85-8.20	1.50	500	14	34.849	15.799	114.3		UG1733/U	Aluminum	high power	WA-R137-XXH1
137	14	70	5.85-8.20	1.50	500	14	34.849	15.799	114.3		UG1732/U	Brass	high power	
112	15	84	7.05-10.0	1.50	500	12	28.499	12.624	101.6		UG138/U	Aluminum	high power	WA-R112-XXH1
112	15	84	7.05-10.0	1.50	500	12	28.499	12.624	101.6		UG51/U	Brass	high power	
102			7.00-11.0	1.50	500	12	25.908	12.954	88.9			Aluminum	high power	WA-R102-XXH1
102			7.00-11.0	1.50	500	12	25.908	12.954	88.9		UG1493/U	Brass	high power	
90	16	100	8.20-12.4	1.50	450	10	22.860	10.160	76.2		UG135/U	Aluminum	high power	WA-R090-XXH1
90	16	100	8.20-12.4	1.50	450	10	22.860	10.160	76.2		UG39/U	Brass	high power	
75	17	120	10.0-15.0	1.50	400	8	19.050	9.525	63.5		UBR120	Aluminum	high power	WA-R075-XXH1
75	17	120	10.0-15.0	1.50	400	8	19.050	9.525	63.5		UBR120	Brass	high power	
67			11.0-17.0	1.50	350	8	16.967	8.636	61.0			Aluminum	high power	WA-R067-XXH1
67			11.0-17.0	1.50	350	8	16.967	8.636	61.0			Brass	high power	
62	18	140	12.4-18.0	1.50	350	8	15.799	7.899	58.4		UG1665/U	Aluminum	high power	WA-R062-XXH1
62	18	140	12.4-18.0	1.50	350	8	15.799	7.899	58.4		UG419/U	Brass	high power	
51	19	180	15.0-22.0				12.954	6.477			UBR180			
42	20	220	18.0-26.5	1.50	50	4	10.668	4.318	50.8		UG597/U	Aluminum	high power	WA-R042-XXH1
42	20	220	18.0-26.5	1.50	50	4	10.668	4.318	50.8		UG595/U	Brass	high power	
34	21	260	22.0-33.0				8.636	4.318			UBR260	Aluminum		
34	21	260	22.0-33.0				8.636	4.318			UBR260	Brass		
28	22	320	26.5-40.0	1.50	10	1	7.112	3.556	38.1		UBR320	Aluminum	high power	WA-R028-XXH1
28	22	320	26.5-40.0	1.50	10	1	7.112	3.556	38.1		UBR320	Brass	high power	
22	23	400	33.0-50.0				5.690	2.845				Aluminum		
22	23	400	33.0-50.0				5.690	2.845			U383/U	Brass		

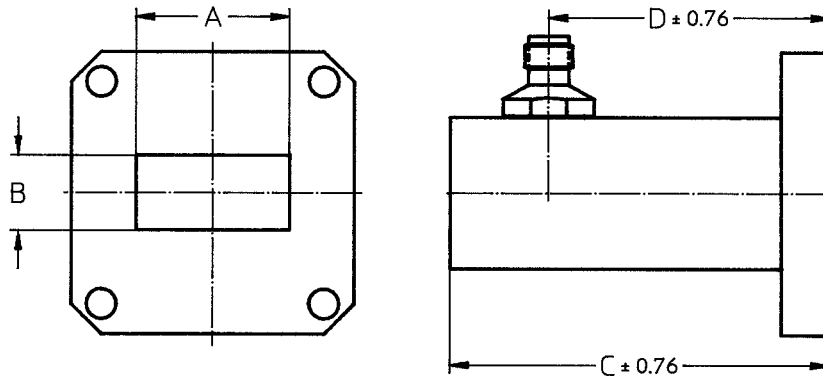
1) At a pressure of one atmosphere

2) XX: Please refer to page 170 for the appropriate connector code.

3) For non Standard Flanges and/or Specifications, a special Part Number will be assigned.

img5.ppt

top - launched



Designation			Frequency (GHz)	VSWR max.	Recommended Power Rating ¹⁾		Dimensions (mm)				Standard Flange ³⁾	Standard Material	Comments	Part Number ²⁾
EIA (WR)	DEF (WG)	IEC (R)			cw (W)	peak (KW)	A	B	C	D				
650	6	14	1.12-1.70				165.10	82.55			UG418A/U UG1720/U	Aluminum		WA-R650-XX01
650	6	14	1.12-1.70				165.10	82.55			UG417A/U	Brass		
510	7	18	1.45-2.20				129.54	64.77			UG1717/U	Aluminum		WA-R510-XX01
510	7	18	1.45-2.20				129.54	64.77			UG1715/U	Brass		
430	8	22	1.70-2.60				109.22	54.61			UG1711/U	Aluminum		WA-R430-XX01
430	8	22	1.70-2.60				109.22	54.61			UG1716/U	Brass		
340	9A	26	2.20-3.30				86.36	43.18			UG1713/U	Aluminum		WA-R340-XX01
340	9A	26	2.20-3.30				86.36	43.18			UG1712/U	Brass		
284	10	32	2.60-3.95	1.10	250	8	72.136	34.036	95.3	69.9	UG1725/U	Aluminum		WA-R284-XX01
284	10	32	2.60-3.95	1.10	250	8	72.136	34.036	95.3	69.9	UG1724/U	Brass		
284	10	32	2.60-3.95	1.35	1000	20	72.136	34.036	95.3	69.9	UG1725/U	Aluminum	high power	WA-H284-XX01-11
284	10	32	2.60-3.95	1.35	1000	20	72.136	34.036	95.3	69.9	UG1724/U	Brass	high power	
284R/H			2.60-3.95	1.10	250	4	72.136	17.018	95.3	69.9		Aluminum		
284R/H			2.60-3.95	1.10	250	4	72.136	17.018	95.3	69.9		Brass		
229	11A	40	3.30-4.90	1.10	250	8	58.166	29.083	76.2	55.9	UG1727/U	Aluminum		WA-R229-XX01
229	11A	40	3.30-4.90	1.10	250	8	58.166	29.083	76.2	55.9	UG1726/U	Brass		
229	11A	40	3.30-4.90	1.35	1000	20	58.166	29.083	76.2	55.9	UG1727/U	Aluminum	high power	WA-H229-XX01
229	11A	40	3.30-4.90	1.35	1000	20	58.166	29.083	76.2	55.9	UG1726/U	Brass	high power	
187	12	48	3.95-5.85	1.10	250	8	47.549	22.149	76.2	59.7	UG1729/U	Aluminum		WA-R187-XX01
187	12	48	3.95-5.85	1.10	250	8	47.549	22.149	76.2	59.7	UG1728/U	Brass		
187	12	48	3.95-5.85	1.35	1000	20	47.549	22.149	76.2	59.7	UG1729/U	Aluminum	high power	WA-H187-XX01
187	12	48	3.95-5.85	1.35	1000	20	47.549	22.149	76.2	59.7	UG1728/U	Brass	high power	
159	13	58	4.90-7.05	1.10	250	8	40.386	20.193	71.1	57.2	UG1731/U	Aluminum		WA-R159-XX01
159	13	58	4.90-7.05	1.10	250	8	40.386	20.193	71.1	57.2	UG1730/U	Brass		
159	13	58	4.90-7.05	1.35	750	16	40.386	20.193	71.1	57.2	UG1731/U	Aluminum	high power	WA-H159-XX01
159	13	58	4.90-7.05	1.35	750	16	40.386	20.193	71.1	57.2	UG1730/U	Brass	high power	

- 1) At a pressure of one atmosphere.
- 2) XX: Please refer to page 170 for the appropriate connector code.
- 3) For non Standard Flanges and /or Specifications, a special Part Number will be assigned.

Designation (WRD)			Frequency (GHz)	VSWR max.	Recommended Power Rating ¹⁾		Dimensions (mm)				Standard Flange ³⁾	Standard Flange Material	Comments	Part Number ²⁾
EIA (WR)	DEF (WG)	IEC (R)			VSWR	cw (W)	peak (KW)	A	B	C				
137	14	70	5.85-8.20	1.10	250	8	34.849	15.799	67.3	50.8	UG1733/U	Aluminum		WA-R137-XX01
137	14	70	5.85-8.20	1.10	250	8	34.849	15.799	67.3	50.8	UG1732/U	Brass		
137	14	70	5.85-8.20	1.35	500	14	34.849	15.799	67.3	50.8	UG1733/U	Aluminum	high power	WA-H137-XX01
137	14	70	5.85-8.20	1.35	500	14	34.849	15.799	67.3	50.8	UG1732/U	Brass	high power	
112	15	84	7.05-10.0	1.10	250	8	28.499	12.624	63.5	45.7	UG138/U	Aluminum		WA-R112-XX01
112	15	84	7.05-10.0	1.10	250	8	28.499	12.624	63.5	45.7	UG51/U	Brass		
112	15	84	7.05-10.0	1.05	250	8	28.499	12.624	63.5	45.7	UG138/U	Aluminum	best VSWR	WA-M112-XX01
112	15	84	7.05-10.0	1.05	250	8	28.499	12.624	63.5	45.7	UG51/U	Brass	best VSWR	
102			7.00-11.0	1.10	250	8	25.908	12.954	63.5	45.7		Aluminum		WA-R102-XX01
102			7.00-11.0	1.10	250	8	25.908	12.954	63.5	45.7	UG1493/U	Brass		
102			7.00-11.0	1.35	500	12	25.908	12.954	63.5	45.7		Aluminum	high power	WA-H102-XX01
102			7.00-11.0	1.35	500	12	25.908	12.954	63.5	45.7	UG1493/U	Brass	high power	
96			7.00-17.0	1.35	250	4	24.511	8.128	141.- 2	131.- 1		Aluminum		WA-R096-XX01
96			7.00-17.0	1.35	250	4	24.511	8.128	141.- 2	131.- 1		Brass		
90	16	100	8.20-12.4	1.10	250	8	22.860	10.160	55.9	43.2	UG135/U	Aluminum		WA-R090-XX01
90	16	100	8.20-12.4	1.10	250	8	22.860	10.160	55.9	43.2	UG39/U	Brass		
90	16	100	8.20-12.4	1.05	250	8	22.860	10.160	55.9	43.2	UG135/U	Aluminum	best VSWR	WA-M090-XX01
90	16	100	8.20-12.4	1.05	250	8	22.860	10.160	55.9	43.2	UG39/U	Brass	best VSWR	
90	16	100	8.20-12.4	1.35	450	10	22.860	10.160	55.9	43.2	UG135/U	Aluminum	high power	WA-H090-XX01
90	16	100	8.20-12.4	1.35	450	10	22.860	10.160	55.9	43.2	UG39/U	Brass	high power	
90R/H			8.20-12.4	1.10	250	4	22.860	5.080	55.9	43.2		Aluminum		
90R/H			8.20-12.4	1.10	250	4	22.860	5.080	55.9	43.2		Brass		
75	17	120	10.0-15.0	1.10	250	7	19.050	9.525	55.9	43.2	UBR120	Aluminum		WA-R075-XX01
75	17	120	10.0-15.0	1.10	250	7	19.050	9.525	55.9	43.2	UBR120	Brass		
75	17	120	10.0-15.0	1.05	250	7	19.050	9.525	55.9	43.2	UBR120	Aluminum	best VSWR	WA-M075-XX01
75	17	120	10.0-15.0	1.05	250	7	19.050	9.525	55.9	43.2	UBR120	Brass	best VSWR	
75	17	120	10.0-15.0	1.35	400	8	19.050	9.525	55.9	43.2	UBR120	Aluminum	high power	WA-H075-XX01
75	17	120	10.0-15.0	1.35	400	8	19.050	9.525	55.9	43.2	UBR120	Brass	high power	
75R/H			10.0-15.0	1.10	250	4	19.050	5.080	55.9	43.2		Aluminum		
75R/H			10.0-15.0	1.10	250	4	19.050	5.080	55.9	43.2		Brass		
67			11.0-17.0	1.10	200	6	16.967	8.636	55.9	43.2		Aluminum		WA-R067-XX01
67			11.0-17.0	1.10	200	6	16.967	8.636	55.9	43.2		Brass		
67			11.0-17.0	1.35	350	8	16.967	8.636	55.9	43.2		Aluminum	high power	WA-H067-XX01
67			11.0-17.0	1.35	350	8	16.967	8.636	55.9	43.2		Brass	high power	
62	18	140	12.4-18.0	1.10	200	6	15.799	7.899	55.9	43.2	UG1665/U	Aluminum		WA-R062-XX01
62	18	140	12.4-18.0	1.10	200	6	15.799	7.899	55.9	43.2	UG419/U	Brass		
62	18	140	12.4-18.0	1.05	200	6	15.799	7.899	55.9	43.2	UG1665/U	Aluminum	best VSWR	WA-M062-XX01
62	18	140	12.4-18.0	1.05	200	6	15.799	7.899	55.9	43.2	UG419/U	Brass	best VSWR	
62	18	140	12.4-18.0	1.35	350	8	15.799	7.899	55.9	43.2	UG1665/U	Aluminum	high power	WA-H062-XX01
62	18	140	12.4-18.0	1.35	350	8	15.799	7.899	55.9	43.2	UG419/U	Brass	high power	
51	19	180	15.0-22.0	1.10	200	6	12.954	6.477	38.1	30.5	UBR180	Aluminum		WA-R051-XX01
51	19	180	15.0-22.0	1.10	200	6	12.954	6.477	38.1	30.5	UBR180	Brass		
42	20	220	18.0-26.5	1.10	50	4	10.668	4.318	38.1	30.5	UG597/U	Aluminum		WA-R042-XX01
42	20	220	18.0-26.5	1.10	50	4	10.668	4.318	38.1	30.5	UG595/U	Brass		
34	21	260	22.0-33.0	1.10	50	4	8.636	4.318	38.1	30.5	UBR260	Aluminum		WA-R034-XX01
34	21	260	22.0-33.0	1.10	50	4	8.636	4.318	38.1	30.5	UBR260	Brass		
28	22	320	26.5-40.0	1.10	10	1	7.112	3.556	38.1	30.5	UBR320	Aluminum		WA-R028-XX01
28	22	320	26.5-40.0	1.10	10	1	7.112	3.556	38.1	30.5	UG599/U	Brass		
22	23	400	33.0-50.0	1.10	10	1	5.690	2.845	38.1	30.5		Aluminum		WA-R022-XX01
22	23	400	33.0-50.0	1.10	10	1	5.690	2.845	38.1	30.5	U383/U	Brass		

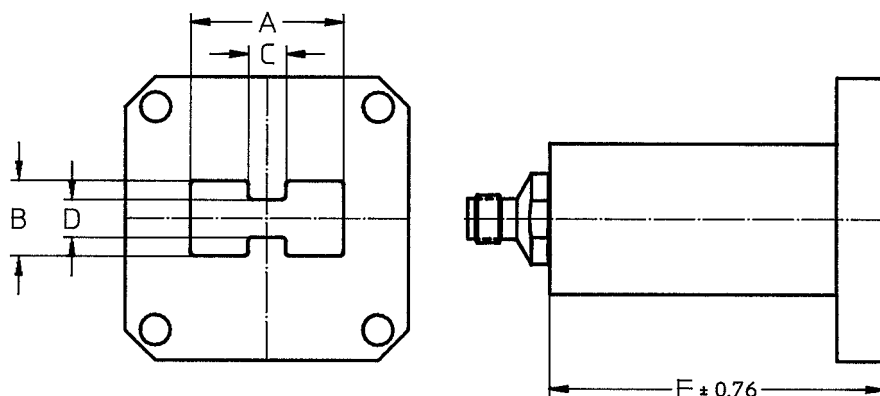
1) At a pressure of one atmosphere.

2) XX: Please refer to page 170 for the appropriate connector code.

3) For non Standard Flanges and/or Specifications, a special Part Number will be assigned.

img45.png

Double - Ridge Waveguide, end - launched



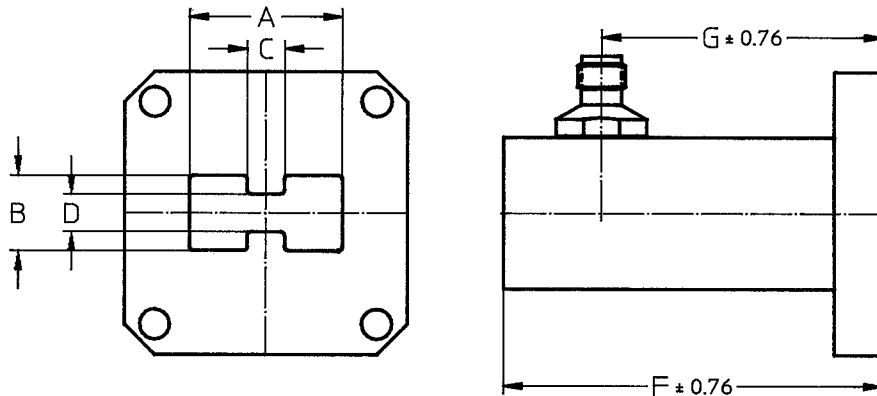
Designatio (WRD)	Frequency (GHz)	VSWR max.	Power Rating P _{av} (W)	Dimensions (mm)					Standar Flange, (All clear)	Standard Material	Comments	Part Number ²⁾
				A	B	C	D	F				
200-D24	2.00-4.80			65.786	30.687	16.459	13.005		cover			
250-D30	2.60-7.80	1.50	1000	42.037	18.161	11.176	3.810	207.0	cover	Aluminium	high power	WA-D250-XXH1
250-D30	2.60-7.80	1.50	375	42.037	18.161	11.176	3.810	38.1	cover	Aluminium	short length	
350-D24	3.50-8.20	1.50	1000	37.592	17.475	9.398	7.417	144.0	cover	Aluminium	high power	WA-D350-XXH1
350-D24	3.50-8.20	1.50	375	37.592	17.475	9.398	7.417	38.1	cover	Aluminium	short length	
350-D36	3.50-12.4			27.280	11.735	6.833	2.286		cover			
475-D24	4.75-11.0	1.50	850	27.686	12.852	6.909	5.461	104.1	cover	Aluminium	high power	WA-D475-XXH1
475-D24	4.75-11.0	1.50	375	27.686	12.852	6.909	5.461	25.4	cover	Aluminium	short length	
500-D36	5.00-18.0	1.50	500	19.101	8.204	4.775	1.600	73.2	cover	Aluminium	high power	WA-D500-XXH1
500-D36	5.00-18.0	1.50	250	19.101	8.204	4.775	1.600	25.4	cover	Aluminium	short length	
650-D28	6.50-18.0	1.50	500	18.289	8.153	4.394	2.565	73.2	cover	Aluminium	high power	WA-D650-XXH1
650-D28	6.50-18.0	1.50	250	18.289	8.153	4.394	2.565	19.1	cover	Aluminium	short length	
750-D24	7.50-18.0	1.50	500	17.551	8.153	4.394	3.454	73.2	cover	Aluminium	high power	WA-D750-XXH1
750-D24	7.50-18.0	1.50	250	17.551	8.153	4.394	3.454	19.1	cover	Aluminium	short length	

1) At a pressure of one atmosphere

2) XX: Please refer to page 170 for the appropriate connector code.

3) For non Standard Flanges and/or Specifications, a special code will be assigned.

Double - Ridge Waveguide, top - launched



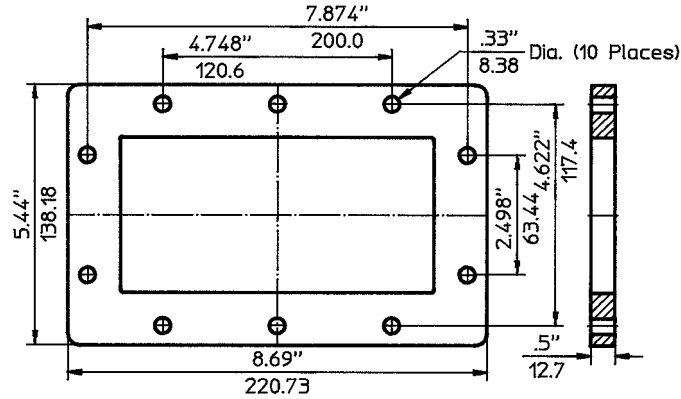
Designatio (WRD)	Frequency (GHz)	VSWR max.	Power Rating ¹⁾ P _{av} (W)	Dimensions (mm)						Standard Flange ³⁾ (All clear)	Standard Material	Comments	Part Number ²⁾
				A	B	C	D	F	G				
200-D24	2.00-4.80			65.786	30.607	16.459	13.005			cover			
250-D30	2.60-7.80	1.35	375	42.037	18.161	11.176	3.810	50.8	35.6	cover	Aluminum		WA-D250-XX01
250-D30	2.60-7.80	1.50	1000	42.037	18.161	11.176	3.810	101.6	85.9	cover	Aluminum	high power	
350-D24	3.50-8.20	1.20	375	37.592	17.475	9.398	7.417	41.4	28.7	cover	Aluminum		WA-D350-XX01
350-D24	3.50-8.20	1.50	1000	37.592	17.475	9.398	7.417	88.9	68.6	cover	Aluminum	high power	
350-D36	3.50-12.40			27.280	11.735	6.833	2.286			cover			
475-D24	4.75-11.00	1.20	375	27.686	12.852	6.909	5.461	45.7	33.3	cover	Aluminum		WA-D475-XX01
475-D24	4.75-11.00	1.50	750	27.686	12.852	6.909	5.461	45.7	33.3	cover	Aluminum	high power	
500-D36	5.00-18.00	1.20	250	19.101	8.204	4.775	1.600	49.5	36.3	cover	Aluminum		WA-D500-XX01
500-D36	5.00-18.00	1.50	500	19.101	8.204	4.775	1.600	49.5	36.3	cover	Aluminum	high power	
650-D28	6.50-18.00	1.20	250	18.289	8.153	4.394	2.565	49.5	36.3	cover	Aluminum		WA-D650-XX01
650-D28	6.50-18.00	1.20	250	18.289	8.153	4.394	2.565	31.5	19.8	cover	Aluminum	short length	
650-D28	6.50-18.00	1.50	500	18.289	8.153	4.394	2.565	49.5	36.3	cover	Aluminum	high power	
750-D24	7.50-18.00	1.20	250	17.551	8.153	4.394	3.454	32.5	19.1	cover	Aluminum		WA-D750-XX01
750-D24	7.50-18.00	1.50	500	17.551	8.153	4.394	3.454	32.5	19.1	cover	Aluminum	high power	
110-C24	11.00-26.5	1.35	25	11.963	5.563	2.997	2.362	25.4	19.1	cover	Aluminum		WA-D110-XX01
180-C24	18.00-40.0	1.50	5	7.315	3.404	1.829	1.448	25.4	19.1	cover	Aluminum		WA-D180-XX01

1) At a pressure of one atmosphere

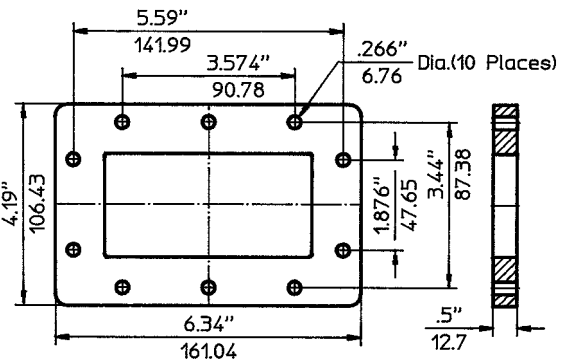
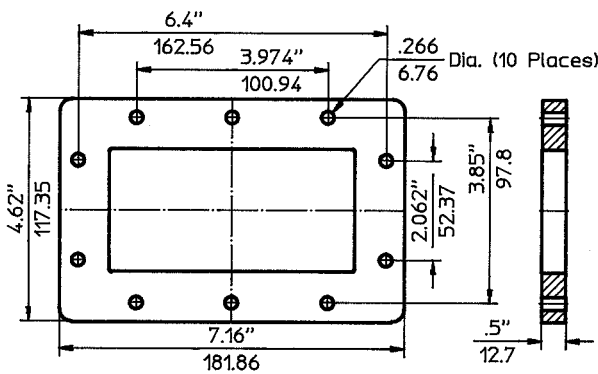
2) XX: Please refer to page 170 for the appropriate connector code.

3) For non Standard Flanges and/or Specifications, a special code will be assigned.

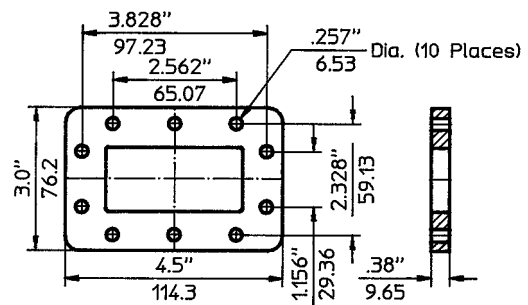
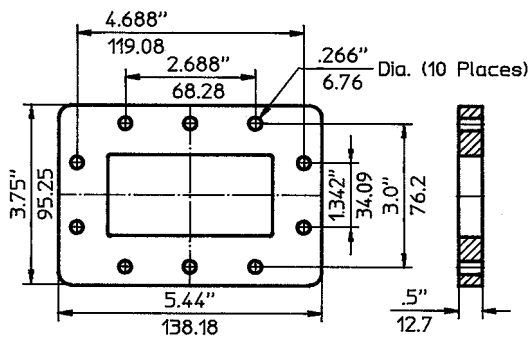
Flanges



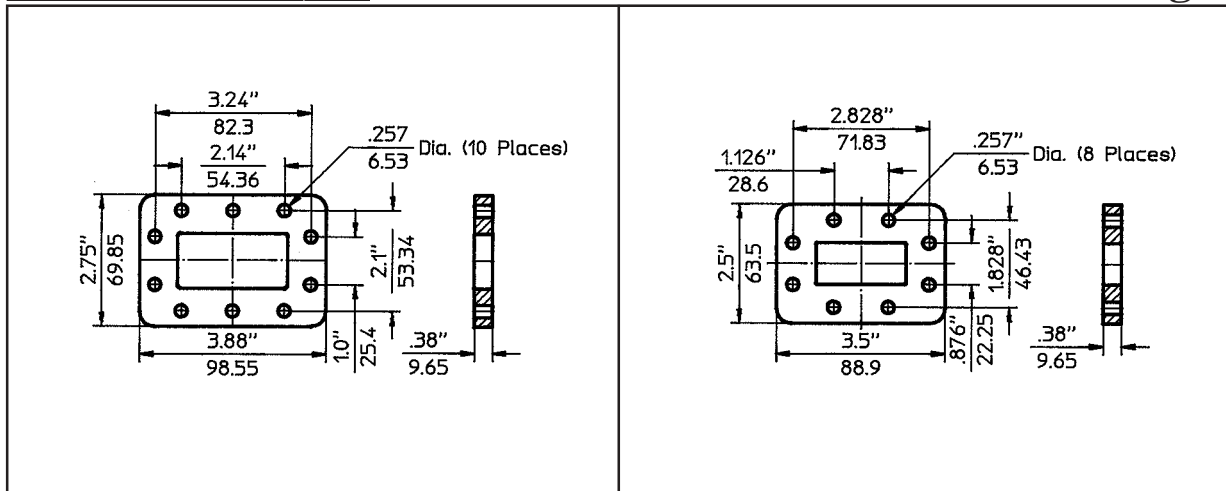
Waveguide Size	Flange Type	Material	JAN	MIL-F-3922/
WR 650	R 14	Flat	Aluminum	UG-418A/U 52-002
			Brass	UG-417A/U 52-001



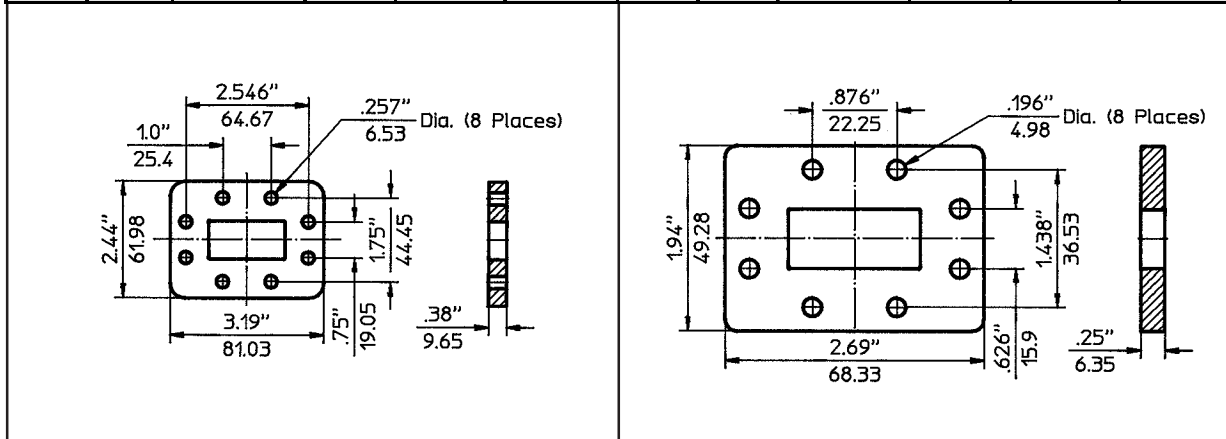
Waveguide Size	Flange Type	Material	JAN	MIL-F-3922/	Waveguide Size	Flange Type	Material	JAN	MIL-F-3922/
WR 510	R 18	Cover	Aluminum	UG-1717/U 52-004	WR 430	R 22	Flat	Aluminum	UG-1711/U 52-006
			Brass	UG-1715/U 52-003				Brass	UG-1716/U 52-005



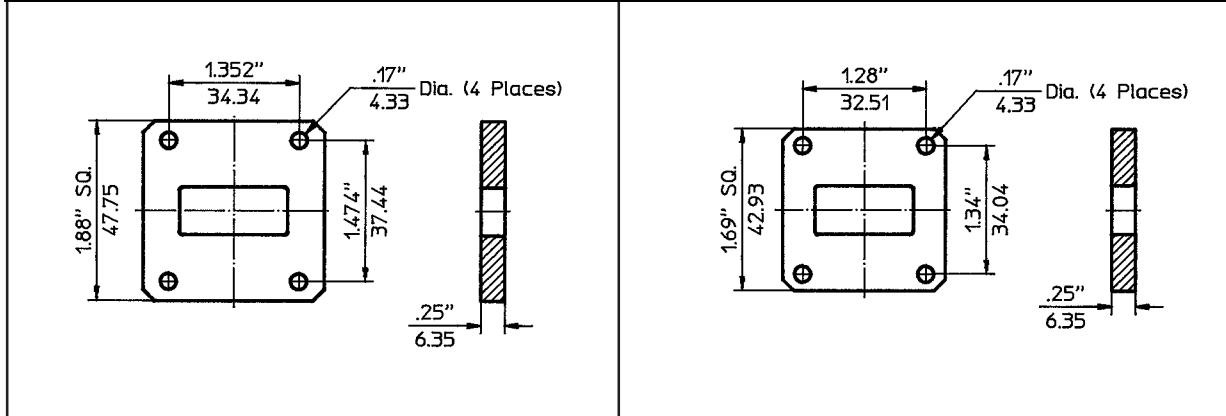
Waveguide Size	Flange Type	Material	JAN	MIL-F-3922/	Waveguide Size	Flange Type	Material	JAN	MIL-F-3922/
WR 340	R 26	Flat	Aluminum	UG-17131/U 52-008	WR 284	R 32	Flat	Aluminum	UG-1725/U 52-010
			Brass	UG-1712/U 52-007				Brass	UG-1724/U 52-009



Waveguide Size	Flange Type	Material	JAN	MIL-F-3922/	Waveguide Size	Flange Type	Material	JAN	MIL-F-3922/		
WR 229	R 40	Flat	Aluminum	UG-1727/U	52-012	WR 187	R 48	Flat	Aluminum	UG-1729/U	52-014
			Brass	UG-1726/U	52-011				Brass	UG-1728/U	52-013



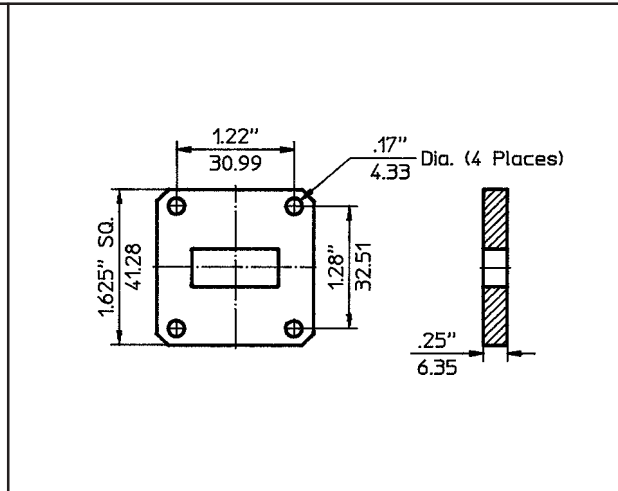
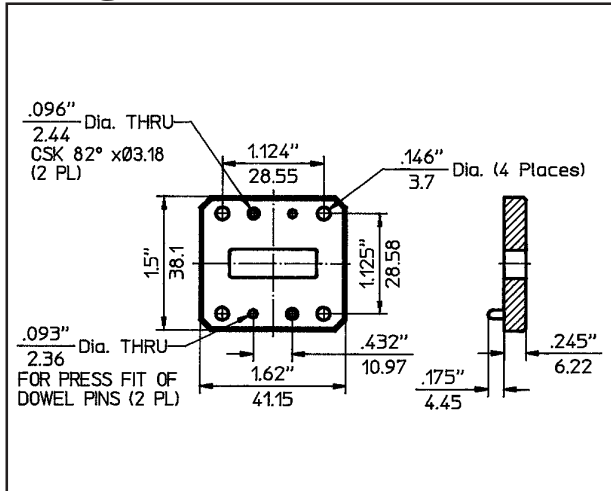
Waveguide Size	Flange Type	Material	JAN	MIL-F-3922/	Waveguide Size	Flange Type	Material	JAN	MIL-F-3922/		
WR 159	R 58	Flat	Aluminum	UG-1731/U	52-016	WR 137	R 70	Flat	Aluminum	UG-1733/U	52-018
			Brass	UG-1730/U	52-015				Brass	UG-1732/U	52-017



Waveguide Size	Flange Type	Material	JAN	MIL-F-3922/	Waveguide Size	Flange Type	Material	JAN	MIL-F-3922/	
WR 112	R 84	Flat	Aluminum	UG-138/U	54-004	WR 102	Cover	Aluminum		
			Brass	UG-51/U	54-002			Brass		

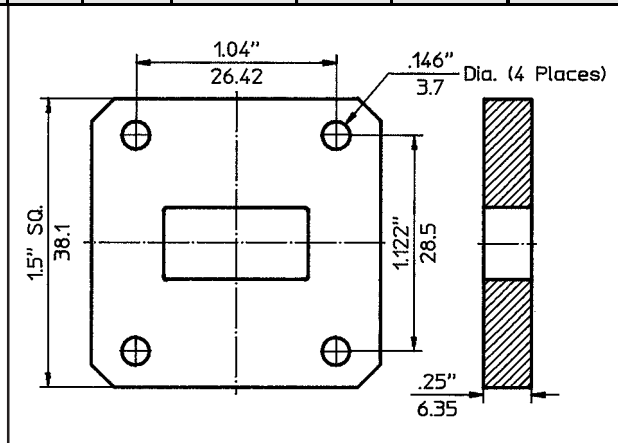
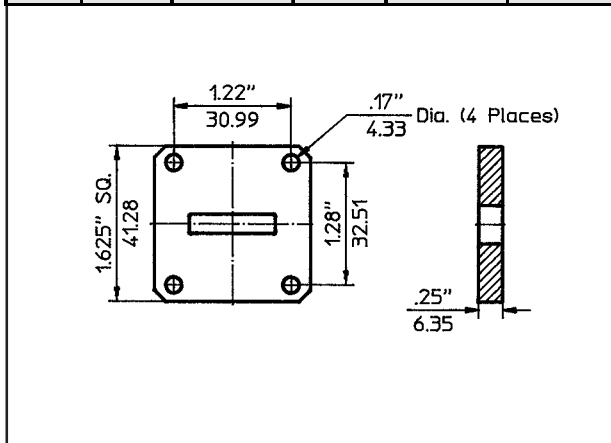
1.jpg(1).png.5

Flanges



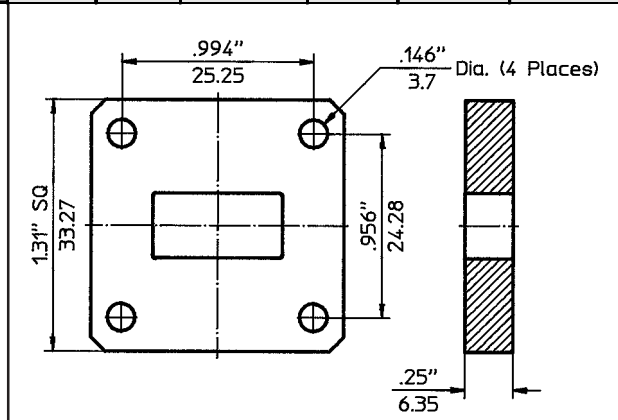
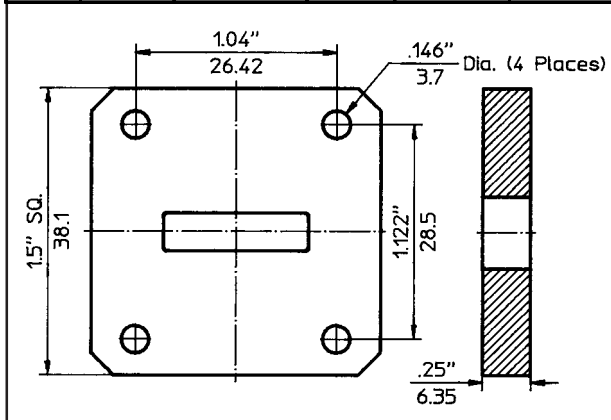
Waveguide Size	Flange Type	Material	JAN	MIL-F-3922/
WR 96	Cover	Aluminum		
		Brass		

Waveguide Size	Flange Type	Material	JAN	MIL-F-3922/
WR 90 R 100	Cover	Aluminum	UG-135/U	53-003
		Brass	UG-39/U	53-001



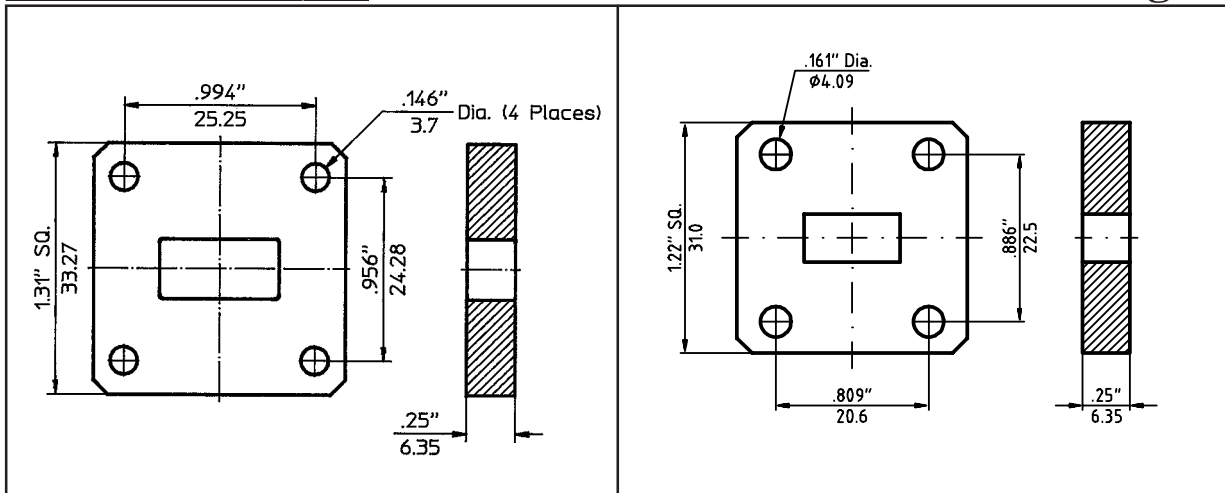
Waveguide Size	Flange Type	Material	JAN	MIL-F-3922/
WR 90 R/H	Cover	Aluminum		
		Brass		

Waveguide Size	Flange Type	Material	IEC
WR 75 R 120	Cover	Aluminum	UBR 120
		Brass	UBR 120

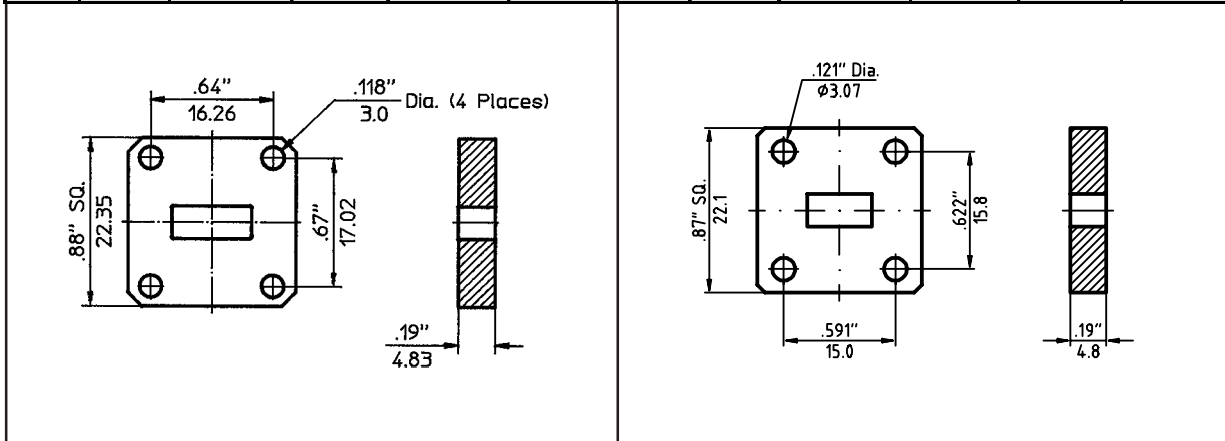


Waveguide Size	Flange Type	Material	JAN	MIL-F-3922/
WR 75 R/H	Cover	Aluminum	UBR 120	
		Brass	UBR 120	

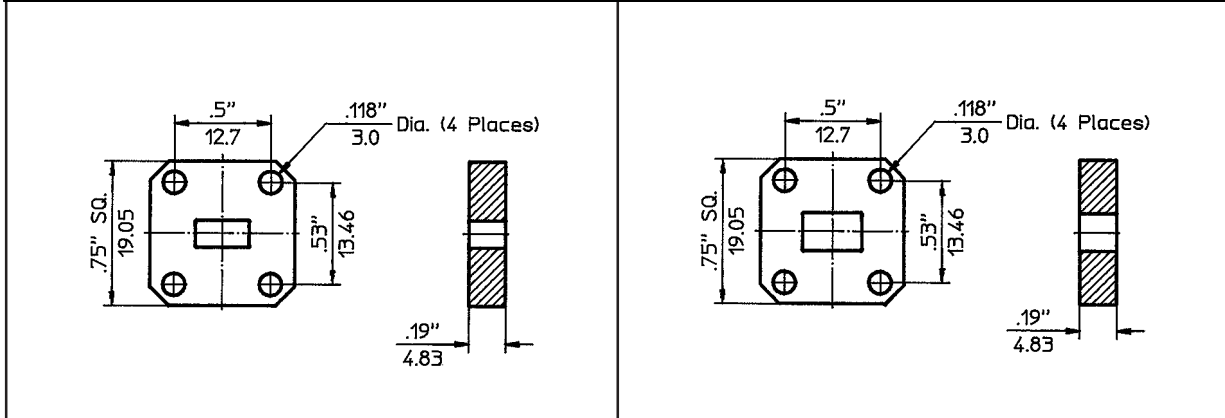
Waveguide Size	Flange Type	Material	JAN	MIL-F-3922/
WR 67	Cover	Aluminum		
		Brass		



Waveguide Size	Flange Type	Material	JAN	MIL-F-3922/	Waveguide Size	Flange Type	Material	IEC		
WR 62	R 140	Cover	Aluminum	UG-1665/U	53-006	WR 51	R 180	Cover	Aluminum	UBR 180
			Brass	UG-419/U	53-005				Brass	UBR180



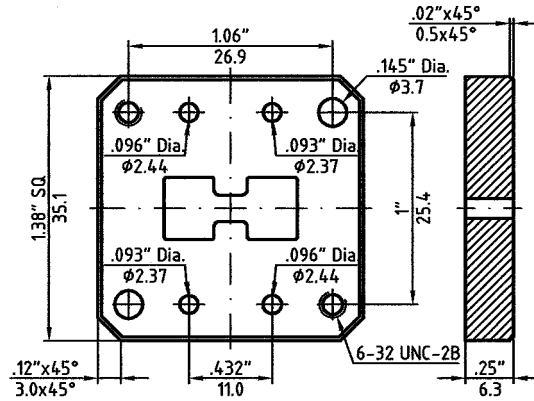
Waveguide Size	Flange Type	Material	JAN	MIL-F-3922/	Waveguide Size	Flange Type	Material	IEC	MIL-F-3922/	
WR 42	R 220	Cover	Aluminum	UG-597/U	54-002	WR 34	R 260	Cover	Aluminum	UBR 260
			Brass	UG-595/U	54-001				Brass	UBR 260



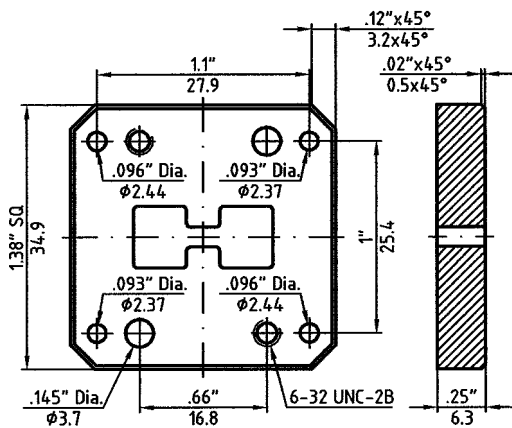
Waveguide Size	Flange Type	Material	IEC		Waveguide Size	Flange Type	Material	JAN	MIL-F-3922/
WR 28	R 320	Cover	Aluminum	UBR 320	WR 22	R 400	Cover	Aluminum	
			Brass	UBR 320				Brass	UG-383/U

log01.ppt5 Date: 03.97

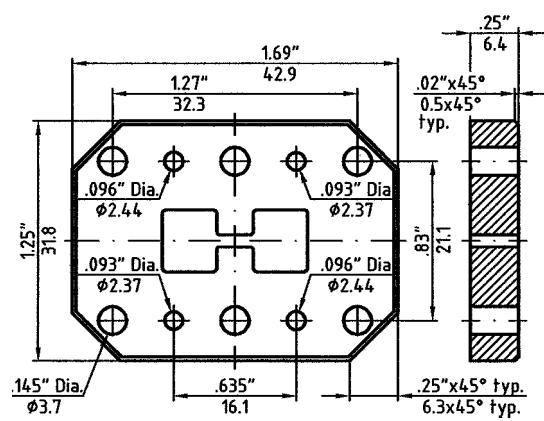
Flanges



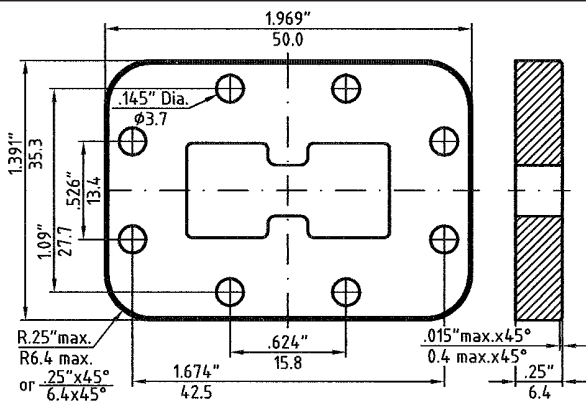
Waveguide Size	Flange Type	Material	MIL-F-39000/
WRD 750 - D24	Cover	Aluminum	3-076
		Brass	3-077



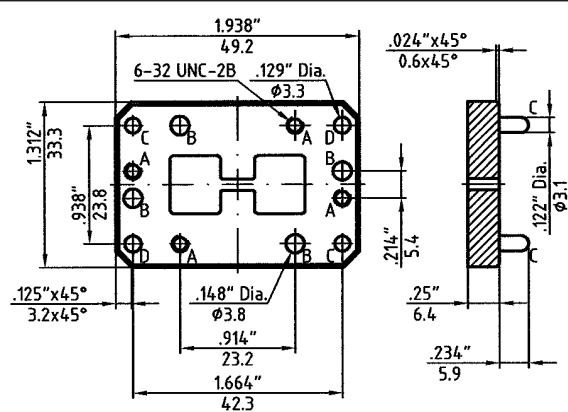
Waveguide Size	Flange Type	Material
WRD 650 - D28	Cover	Aluminum
		Brass



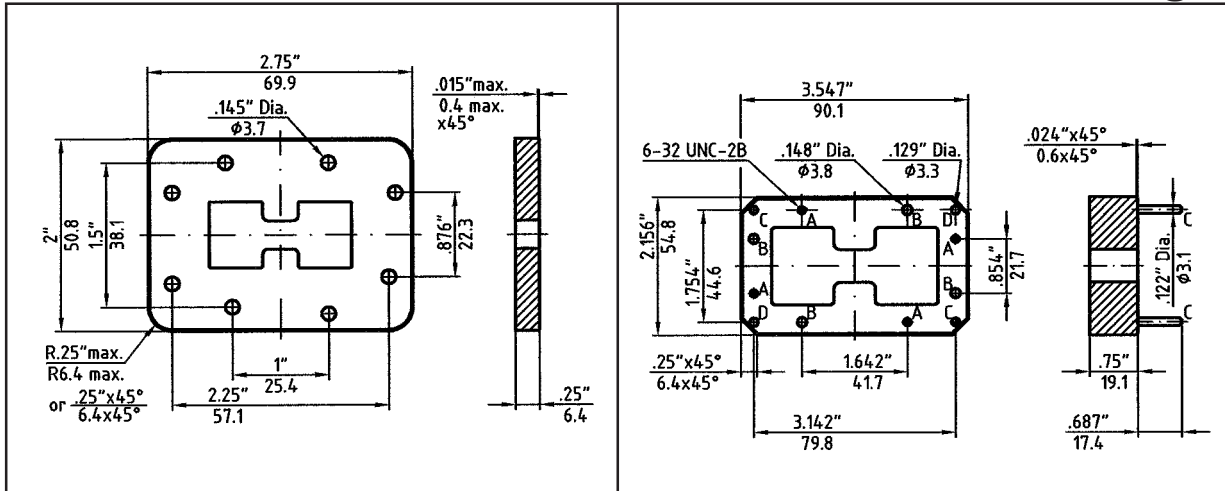
Waveguide Size	Flange Type	Material
WRD 500 - D36	Cover	Aluminum
		Brass



Waveguide Size	Flange Type	Material	JAN	MIL-F-39000/
WRD 475 - D24	Cover	Aluminum	UG-1577/U	3-040
		Brass	UG-1578/U	3-041



Waveguide Size	Flange Type	Material	JAN	MIL-F-39000/
WRD350 - D36	Cover	Aluminum	UG-1595/U	4-007
		Brass	UG-1596/U	4-008



Waveguide Size	Flange Type	Material	MIL-F-39000/	Waveguide Size	Flange Type	Material	JAN	MIL-F-39000/
WRD350 - D24	Cover	Aluminum	3-034	WRD 200 - D24	Cover	Aluminum	UG-1571/U	3-007
		Brass	3-035			Brass	UG-1572/U	3-008